



CABLE TRUNKINGS CATALOGUE



SFSP
Specialized Factory
for Steel Products /s.a.r.l
www.sfsp-lebanon.com

INDEX

INTRODUCTION	2
TECHNICAL DATA	9
TRUNKING RUNS	11
TRUNKING FITTINGS	15
ACCESSORIES	33
SUPPORT & FRAMING SYSTEMS	36





SFSP
Specialized Factory
for Steel Products /s.a.r.l
www.sfsp-lebanon.com

Specialized Factory for Steel Products is a leading factory in Lebanon, established in the year 2011 to serve the steel construction products industry in Lebanon and the region.

Production at the factory is observed using modern practices of manufacturing methods in the steel construction industry with a definite compliance to international standards of fabrication.

SFSP adapts quickly and easily to market demands and requirements. The factory is operating a top of the line production machinery, automated with high technology to ensure quality and maintain speed with delicacy.

Quality at SFSP is uncompromised; the factory is working as per ISO 9001: 2008 Quality Management System, with care for the safety of its workers and clients as well as the welfare of its society by acknowledging the environmental key issues, trying to maintain a pollution-free production facility

TECHNICAL SERVICES

A crucial factor in the job of a factory is to provide continuous technical services and consultations.

That's why SFSP has invested in a professional team of researchers and specialists.

SFSP has recruited brilliant graduates and experienced engineers having the appropriate knowhow on the on latest technology changes and development in the steel building materials industry.

The product range is developed and updated according to the relevant standards of fabrication across markets, whilst the business processes are evaluated to achieve maximum efficiency.

SFSP R&D Core Objectives

- Carry out responsibilities effectively in a safe and healthy work environment.
- Develop and implement research programs relevant to the products and solutions introduced and ensure that the results are communicated clearly in-house and among the clients , concisely and accurately.

SOCIAL RESPONSIBILITY

Being socially responsible is a part of who we are and how we do our business. We aim to provide useful products and services, to provide jobs and development opportunities for our communities, and to gain satisfaction through meaningful work.

We make a difference by acting on the values and principles of our societies and we inspire others to do so. At SFSP, we anticipate and reduce threats caused by environmental changes or natural disasters, and we are well adapted to significant social changes.

We contribute to a more sustainable society by means of value and support to our consumers, supply chains, and stakeholders. We are keen to identify ways they can improve our impacts on the people and places we work and live in, and thereby become more valuable and valued members of society.

- Organizational governance: We promote accountability and transparency at all levels, thus, promoting responsibility
- Human care: We treat individuals with respect; and make efforts to help members of vulnerable groups
- Labor practices: We provide just, safe and favorable conditions to workers
- Environment: At SFSP, we identify and improve environmental impacts of our operations, including the resource use of natural resources and waste disposal.
- Fair operating practices: Practicing accountability and fairness in dealings with other businesses

At SFSP, we are committed to continuous improvement ongoing learning, process review and innovative thinking that foster new initiatives; and better practices. Our environmental programs evolve to meet today's changing needs while; protecting resources for future; generations.



ENVIRONMENTAL AWARENESS

SFSP is committed to the following:

- Compliance with all statutory and regulatory requirements related to its activities, products and services and the environmental aspects.
- Identifying quality and environmental objectives by review and audit of the processes both in-house and on-site.
- Formally setting objectives based on the results of the process reviews and their significance in relation to their impact on the environment and the continual improvement of the quality and environmental management system.
- Implementing management programs to achieve these objectives.
- Investing in a well-trained and motivated workforce.
- Working closely with suppliers and customers to ensure mutual understanding and benefits of the environmental aspects consideration.
- Reviewing our policy and objectives as part of the Management Review Process.
- Communicating this policy to all persons working for or on behalf of the organization.
- Preventing and minimizing Pollution to the environment.



LOCATION

SFSP / Lebanon

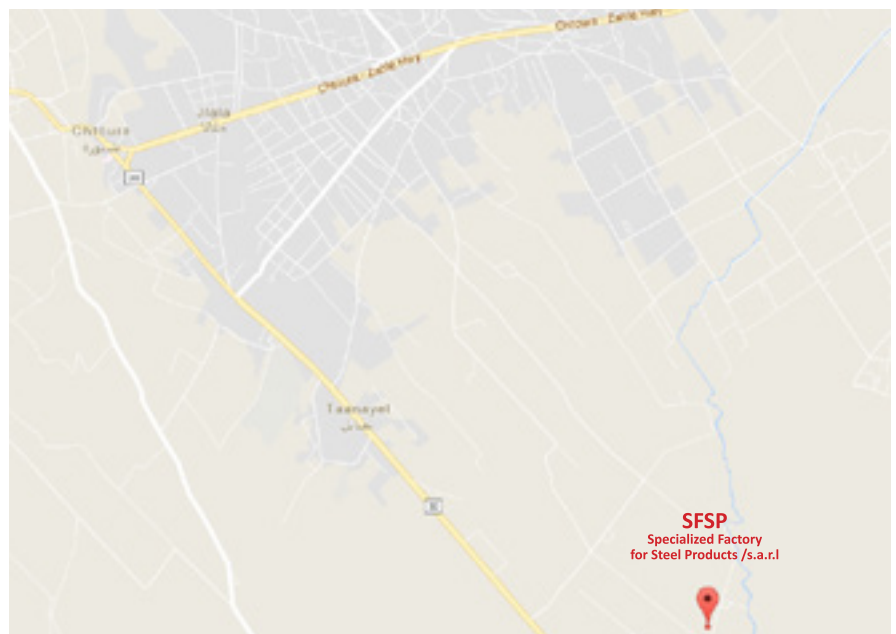
management@sfsp-lebanon.com

Specialized Factory for Steel Products / s.a.r.l

Tanayel, Bekaa

Tel: +961 8 514 290

Fax: +961 8 514 291



HEALTH AND SAFETY

The Factory Management regard the health and safety of the employees, clients and all others that may be affected by their operations to be of a major importance.

In support of this, the management promotes health and safety throughout the Factory’s operations and endeavour to engender a positive attitude in all employees towards the prevention of accidents and maintenance of healthy working arrangements.

The Factory satisfies the requirements of the Health, Safety and related legislation by setting out the responsibilities of all levels of staff and the arrangements for carrying out those responsibilities and in particular do what is reasonably practicable to:

1. Maintains safe & healthy working conditions.
2. Ensures that all facilities and equipment are safe and properly maintained.
3. Provides products that can be applied and used safely and without risk to health.
4. Provides and maintain working procedures, that are safe and without risk to health, throughout the its operations in respect of:
 - The use, handling, storage, transports and disposal of materials and substances.
 - The use of factory equipment.
 - Potential emergency situations, including first aid, fire and escape of substances.
5. Ensure the competence of employees.



SFSP facilities are equipped with advanced machinery amongst are Cable Management Production Lines, Steel cladding systems production lines, metal lathes and blockwork production line, garbage and linen chutes production line, and also partition and ceiling profiles production capacity, and Computerized Numerical Cut machines to ensure delicacy and speed of delivery.



SFSP PRODUCTS

SFSP produces a variety of products ranging from cable management systems; cable trays, cable ladders, basket trays, trunkings and support systems, to mechanical cladding fixations, steel lintels and block work accessories, plasterers' beads, expanded metal and block work reinforcement, strut channel systems, pipe clamps & hangers, gypsum profiles as well as garbage and linen chutes. With the introduction of new machines and the enhancement of production methods, SFSP continues to develop its production methods systematically as well as thoroughly.

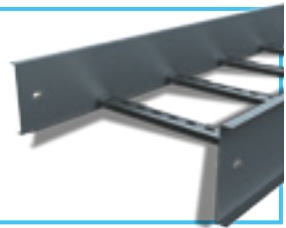
CABLE TRAYS & ACCESSORIES

Cable Trays are designed to meet most requirements of cable and electrical wire installations and comply to local and international standards of fabrications and finishes.



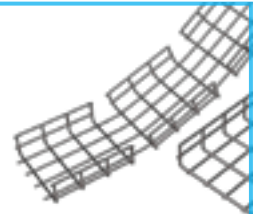
CABLE LADDERS (WELDED & SWAGED)

Cable Ladders of different side heights are available upon request.



BASKET TRAYS & ACCESSORIES

SFSP's Basket Tray systems make connections fast and simple with limited need for tools. Its design allows for continuous airflow, and prevents heating up of cables. SFSP's Basket Tray comes in a full range of sizes and is made with high-strength welded steel wires.



CABLE TRUNKINGS

Cable Trunkings and Accessories are offered in a comprehensive range. Mill galvanized, hot-dip galvanized, and powder coated are the various finishes produced in our factories.



UNDERFLOOR TRUNKING

Underfloor Trunking Systems solutions incorporate a range of products for the distribution of power and data services , it is a coordinated set of containments that protect, segregate, contain, and route cables within a given environment.



CABLE MANAGEMENT SUPPORT SYSTEMS

Cable Support Systems are well designed to provide necessary support for cable trays, cable ladders and trunkings. Cable supports are manufactured according to common standards from high quality raw materials.



C-CHANNEL STRUT SYSTEMS

SFSP's Metal Framing Systems provide an economical solution for electrical, mechanical and industrial supports with a wide variety of applications in the construction industry.

Applications: - Pipe and Conduit Supports - Tunnel Pipe Stanchions - Racks and Shelvings - Wall Framings.



EXPANDED METALS, PLASTERERS' BEADS

Expanded Metals help the formation of joints, protection of corners and resistance against cracks, chips and impact damage.

BLOCK LADDER REINFORCEMENT

SFSP ladder and truss types are used for the reinforcement of brick and block masonry to give improved tensile strength to walls subjected to lateral loading e.g. wind and seismic. SFSP block reinforcements reduces the risk of cracking either at stress concentration around opening.

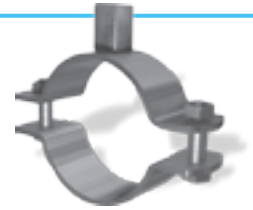
STEEL LINTELS & BLOCK WORK ACCESSORIES

Steel Lintels provide a combination of strength and light weight, resulting in efficient load bearing performance and increased productivity on site. They are characterized by their ease of installation in addition to time as well as money saving.



PIPE CLAMPS & HANGERS

Pipe Clamps and Hangers from SFSP used in the support of pipes and equipments are manufactured according to the highest standards of fabrication. A diversified choice of Pipe Hangers, Pipe Clamps, EMT Straps, Omega Clamps, Beam Clamps, J and U-Bolts and Threaded Accessories.



MARBLE & GRANITE FIXINGS

Stangle Cladding Fixation includes design, calculation and production of several types of mechanical fixings and accessories used for cladding purposes. Stainless and galvanized steel are among the various materials used in the fabrication.



DRY WALL & CEILING PROFILES

SFSP provides a complete product range for dry wall and ceiling constructions. Studs, Runners, Furring Channels, Ceiling Channels and Wall Angles are among the range of products produced to service the dry wall installers.



GARBAGE & LINEN CHUTES

Chutes from SFSP are very convenient, simple and low cost method of controlling and disposing of refuse and linen. Chutes meet the most stringent requirements of environmental health and safety. Chutes are used as original equipment in new buildings, such as : Hotels, Hospitals, High Rises and Residential Towers.

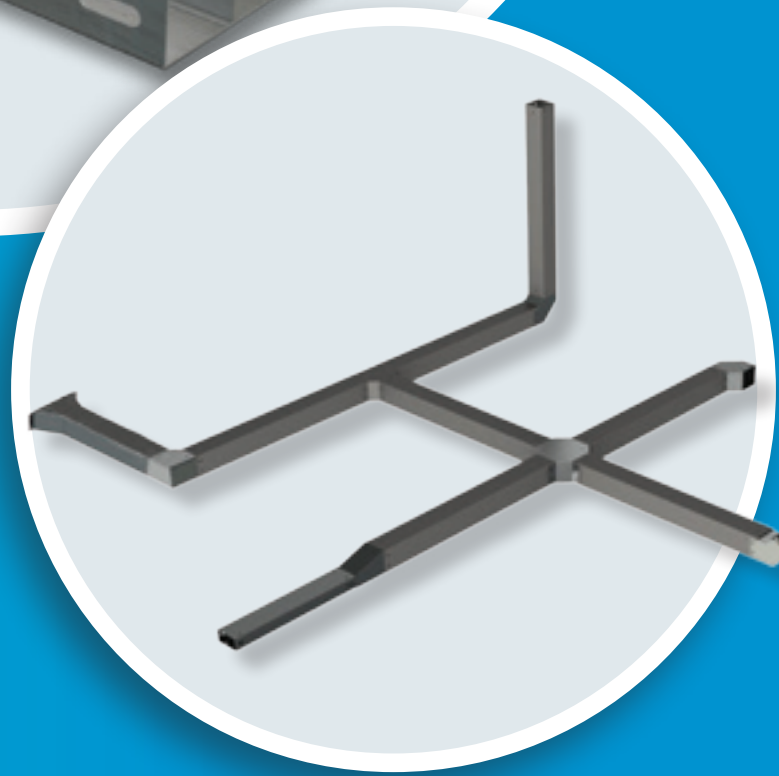


EXPANSION JOINTS COVERS

SFSP manufactures architectural lines of thermal, seismic, waterproof, and fire-rated expansion joint systems meeting aesthetic and structural demands of multiple projects including airports, hospitals, commercial and residential buildings, shopping malls, and several other structural types

Materials used in SFSP expansion joints systems includes 6063 Aluminum, Rubber (Natural and Neoprene), Stainless Steel, TPE.





TECHNICAL DATA

TECHNICAL DATA

Specifications and Installation Guide

To comply with wiring regulations, the installer shall ensure that the trunking is not overfilled and acceptable pressure is applied to the cables.

In order to do this, the installer shall not exceed the 45% space factor given in the rigs.

The 45% space factor means that the total cross-sectional area of all cables shall not be greater than 45% of the cross-sectional area of the trunking.

Choosing Correct Trunking Dimensions

For each cable being used, obtain the appropriate factor from 'cable sizes and factors' table.

Sum all these cable factors and compare the result to the 'trunking sizes and capacity factor' table.

The minimum size of trunking that can be used is that size having a factor equal to, or greater than the sum of all trunking capacity factors.

Example:

- Type of cables = stranded

Cable size (cross sectional area) = 25 mm²

Number of cables = 20

Common cable factor = 73.9 (cable sizes and factors table)

- Type of cables = solid

Cable size (cross sectional area) = 2.5 mm²

Number of cables = 15

Common cable factor = 11.9 (cable sizes and factors table)

Cable sizes and factors

Size (mm ²) (nom.)	Common cable factor
Solid	
5-1	0.8
5-2	9.11
Stranded	
5-1	6.8
5-2	6.12
0.4	6.16
0.6	2.21
0.10	3.35
0.16	8.47
0.25	9.73
0.35	3.93
0.50	7.128
0.70	4.167
0.95	7.229
0.120	6.277
0.150	1.343

Trunking sizes and capacity factors

Size (mm)	Trunking capacity factor
50 x 50	1037
75 x 50	1555
75 x 75	2371
100 x 50	2091
100 x 75	3189
100 x 100	4252
150 x 50	3091
150 x 75	4742
150 x 100	6394
150 x 150	9697
225 x 75	7114
225 x 100	9298
225 x 150	14652
225 x 225	21766
300 x 75	9486
300 x 100	12788
300 x 150	19447

Number of cables x cable factor = Capacity factor

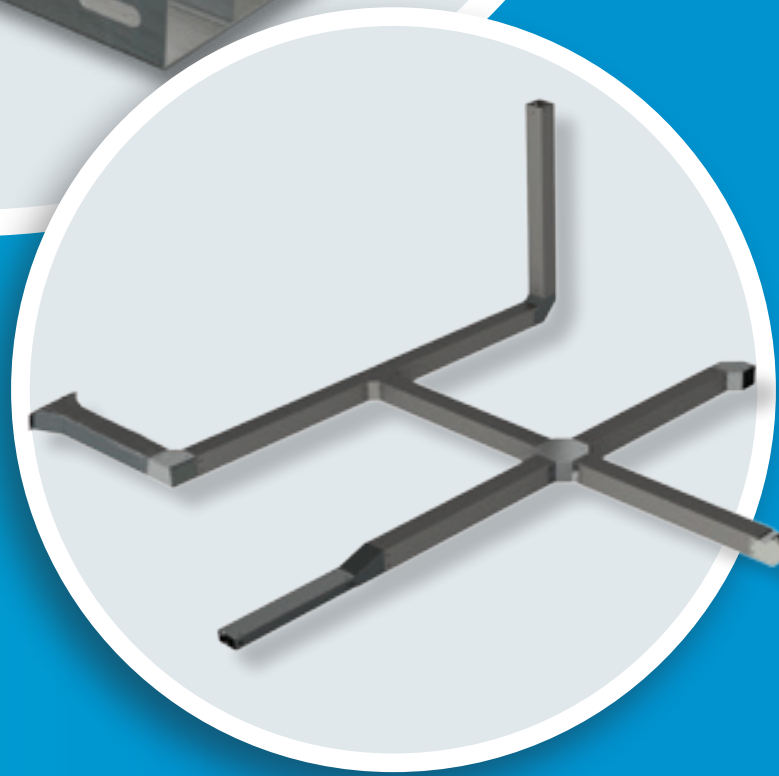
Stranded : 20 x 73.9 = 1478.0

Solid : 15 x 11.9 = 178.5

Total (Stranded + Solid) = 1656.5

Choose trunking size 75 x 75 = trunking capacity 2371 > 1656.5 or trunking size 100 x 50 = trunking capacity 2091 > 1656.5

Check trunking sizes and capacity factor table.



TRUNKING RUNS

SINGLE COMPARTMENT

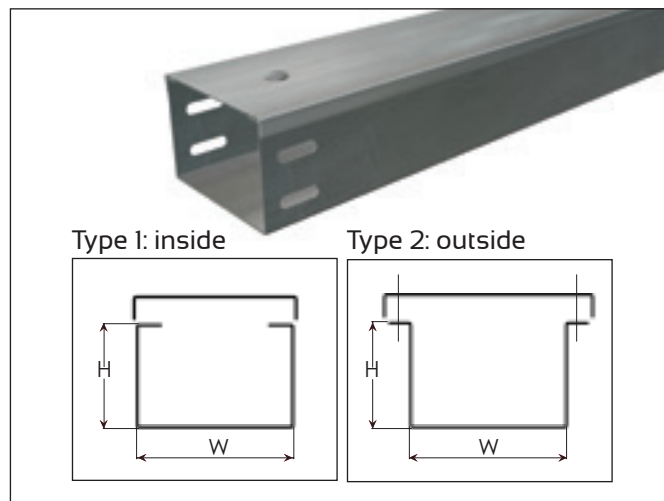
Single compartment return edge cable trunking is manufactured with various thicknesses 1.0 mm to 1.5 mm in compliance with BS 4678-1 was replaced by BS EN 50085-1 :2005 and BS EN 50085-2 :2006. It comes with all standard trunking couplings and lids that quickly lock into place.

Single Compartment Cable Trunking

Thickness: 1 mm - 1.2 mm - 1.5 mm

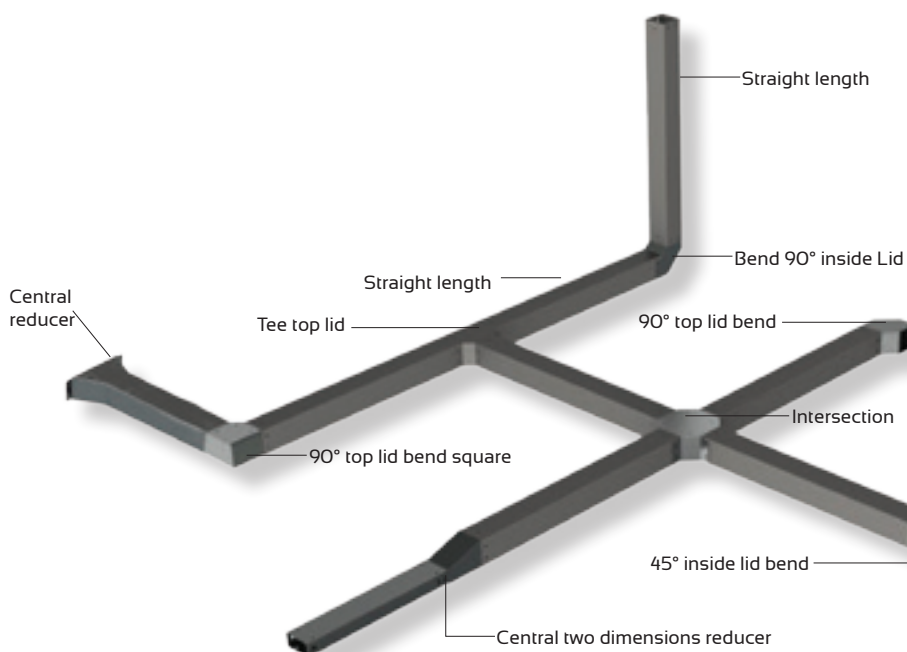
Available trunkings' lengths are:

- 2440 mm / 3000 mm



SCT - 4200

Reference			Dimensions	
1 mm	1.2 mm	1.5 mm	mm	inch
SCT 4200 050 0050 2	SCT 4200 050 0050 3	SCT 4200 050 0050 4	50 x 50 mm	(2"x2")
SCT 4200 075 0050 2	SCT 4200 075 0050 3	SCT 4200 075 0050 4	75 x 50 mm	(3"x2")
SCT 4200 075 0075 2	SCT 4200 075 0075 3	SCT 4200 075 0075 4	75 x 75 mm	(3"x3")
SCT 4200 100 0050 2	SCT 4200 100 0050 3	SCT 4200 100 0050 3	100 x 50 mm	(4"x2")
SCT 4200 100 0075 2	SCT 4200 100 0075 3	SCT 4200 100 0075 3	100 x 75 mm	(4"x3")
SCT 4200 100 0100 2	SCT 4200 100 0100 3	SCT 4200 100 0100 3	100 x 100 mm	(4"x4")
SCT 4200 150 0050 2	SCT 4200 150 0050 3	SCT 4200 150 0050 3	150 x 50 mm	(6"x2")
SCT 4200 150 0075 2	SCT 4200 150 0075 3	SCT 4200 150 0075 3	150 x 75 mm	(6"x3")
SCT 4200 150 0100 2	SCT 4200 150 0100 3	SCT 4200 150 0100 3	150 x 100 mm	(6"x4")
SCT 4200 150 0150 2	SCT 4200 150 0150 3	SCT 4200 150 0150 3	150 x 150 mm	(6"x6")
SCT 4200 200 0100 2	SCT 4200 200 0100 3	SCT 4200 200 0100 3	200 x 100 mm	(8"x4")
SCT 4200 300 0100 2	SCT 4200 300 0100 3	SCT 4200 300 0100 3	300 x 100 mm	(12"x4")
SCT 4200 450 0100 2	SCT 4200 450 0100 3	SCT 4200 450 0100 3	450 x 100 mm	(18"x4")
SCT 4200 600 0100 2	SCT 4200 600 0100 3	SCT 4200 600 0100 3	600 x 100 mm	(24"x4")



DOUBLE COMPARTMENT

Double Compartment Cable Trunking

Thickness: 1 mm - 1.2 mm - 1.5 mm

Available trunking lengths are as follows:

2440 mm / 3000 mm



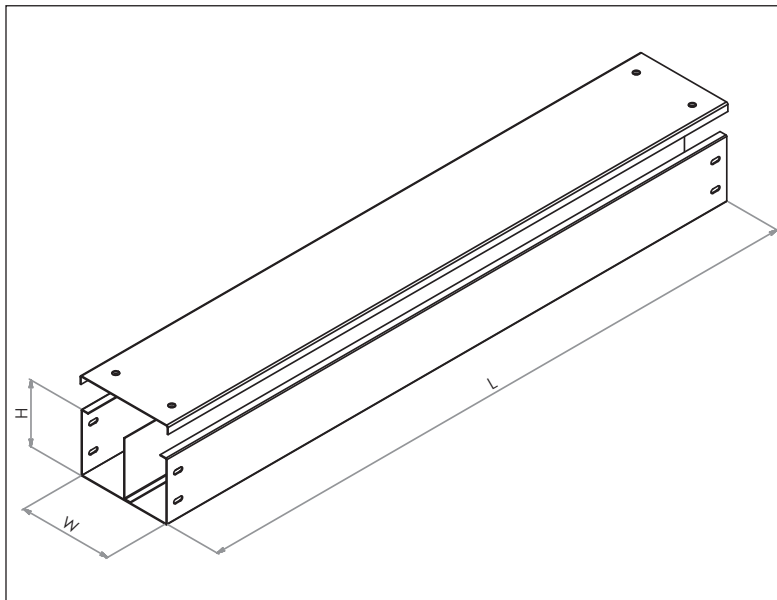
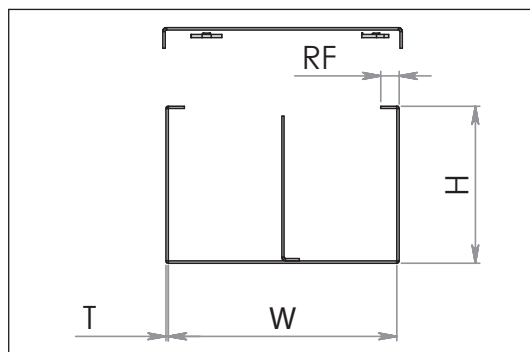
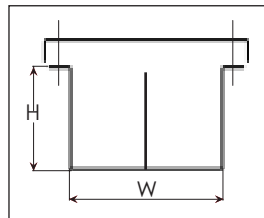
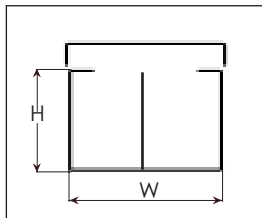
DCT - 5200

Reference			Dimensions	
1 mm	1.2 mm	1.5 mm	mm	inch
DCT 5200 050 0050 2	DCT 5200 050 0050 3	DCT 5200 050 0050 4	50 x 50 mm	(2"x2")
DCT 5200 075 0050 2	DCT 5200 075 0050 3	DCT 5200 075 0050 4	75 x 50 mm	(3"x2")
DCT 5200 075 0075 2	DCT 5200 075 0075 3	DCT 5200 075 0075 4	75 x 75 mm	(3"x3")
DCT 5200 100 0050 2	DCT 5200 100 0050 3	DCT 5200 100 0050 4	100 x 50 mm	(4"x2")
DCT 5200 100 0075 2	DCT 5200 100 0075 3	DCT 5200 100 0075 4	100 x 75 mm	(4"x3")
DCT 5200 100 0100 2	DCT 5200 100 0100 3	DCT 5200 100 0100 4	100 x 100 mm	(4"x4")
DCT 5200 150 0050 2	DCT 5200 150 0050 3	DCT 5200 150 0050 4	150 x 50 mm	(6"x2")
DCT 5200 150 0075 2	DCT 5200 150 0075 3	DCT 5200 150 0075 4	150 x 75 mm	(6"x3")
DCT 5200 150 0100 2	DCT 5200 150 0100 3	DCT 5200 150 0100 4	150 x 100 mm	(6"x4")
DCT 5200 150 0150 2	DCT 5200 150 0150 3	DCT 5200 150 0150 4	150 x 150 mm	(6"x6")
DCT 5200 200 0100 2	DCT 5200 200 0100 3	DCT 5200 200 0100 4	200 x 100 mm	(8"x4")
DCT 5200 300 0100 2	DCT 5200 300 0100 3	DCT 5200 300 0100 4	300 x 100 mm	(12"x4")
DCT 5200 450 0100 2	DCT 5200 450 0100 3	DCT 5200 450 0100 4	450 x 100 mm	(18"x4")
DCT 5200 600 0100 2	DCT 5200 600 0100 3	DCT 5200 600 0100 4	600 x 100 mm	(24"x4")

- Other dimensions are available upon request.

Type 1: inside

Type 2: outside



TRIPLE COMPARTMENT

Triple Compartment Cable Trunking

Thickness: 1 mm - 1.2 mm - 1.5 mm

Available trunking lengths are as follows:

2440 mm / 3000 mm

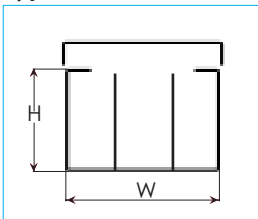


TCT - 6200 U / TCT - 6200 L

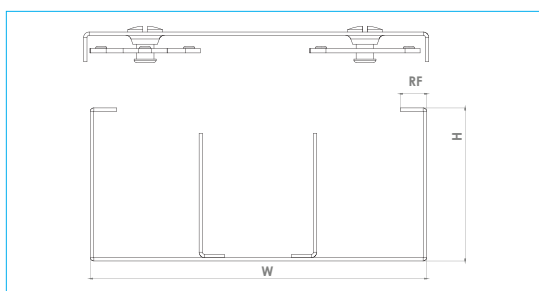
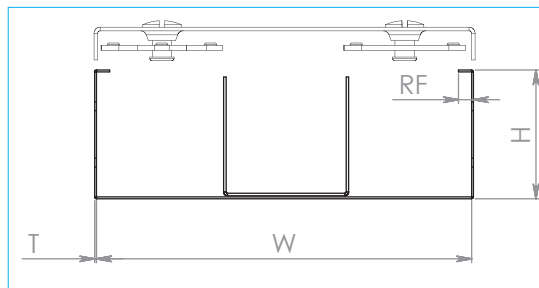
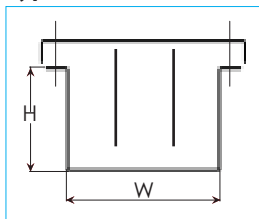
Reference			Dimensions	
1 mm	1.2 mm	1.5 mm	mm	inch
TCT 6200 050 0050 2	TCT 6200 050 0050 3	TCT 6200 050 0050 4	50 x 50 mm	(2"x2")
TCT 6200 075 0050 2	TCT 6200 075 0050 3	TCT 6200 075 0050 4	75 x 50 mm	(3"x2")
TCT 6200 075 0075 2	TCT 6200 075 0075 3	TCT 6200 075 0075 4	75 x 75 mm	(3"x3")
TCT 6200 100 0050 2	TCT 6200 100 0050 3	TCT 6200 100 0050 4	100 x 50 mm	(4"x2")
TCT 6200 100 0075 2	TCT 6200 100 0075 3	TCT 6200 100 0075 4	100 x 75 mm	(4"x3")
TCT 6200 100 0100 2	TCT 6200 100 0100 3	TCT 6200 100 0100 4	100 x 100 mm	(4"x4")
TCT 6200 150 0050 2	TCT 6200 150 0050 3	TCT 6200 150 0050 4	150 x 50 mm	(6"x2")
TCT 6200 150 0075 2	TCT 6200 150 0075 3	TCT 6200 150 0075 4	150 x 75 mm	(6"x3")
TCT 6200 150 0100 2	TCT 6200 150 0100 3	TCT 6200 150 0100 4	150 x 100 mm	(6"x4")
TCT 6200 150 0150 2	TCT 6200 150 0150 3	TCT 6200 150 0150 4	150 x 150 mm	(6"x6")
TCT 6200 200 0100 2	TCT 6200 200 0100 3	TCT 6200 200 0100 4	200 x 100 mm	(8"x4")
TCT 6200 300 0100 2	TCT 6200 300 0100 3	TCT 6200 300 0100 4	300 x 100 mm	(12"x4")
TCT 6200 450 0100 2	TCT 6200 450 0100 3	TCT 6200 450 0100 4	450 x 100 mm	(18"x4")
TCT 6200 600 0100 2	TCT 6200 600 0100 3	TCT 6200 600 0100 4	600 x 100 mm	(24"x4")

- Other dimensions are available upon request.

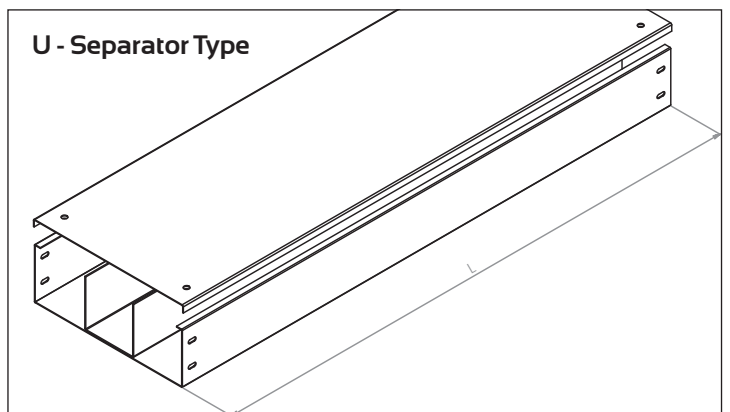
Type 1: inside



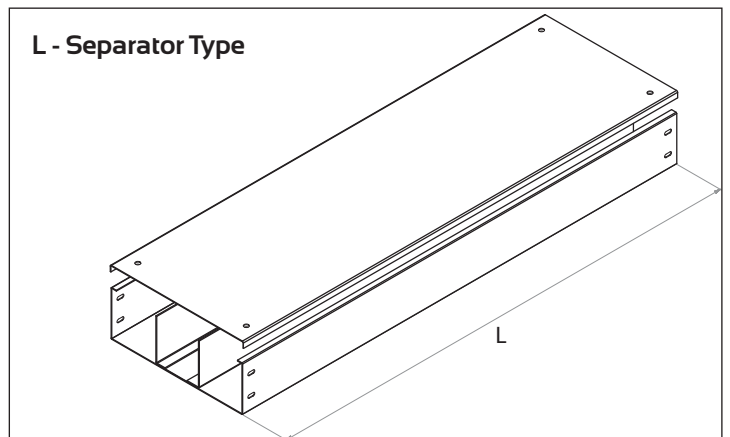
Type 2: outside

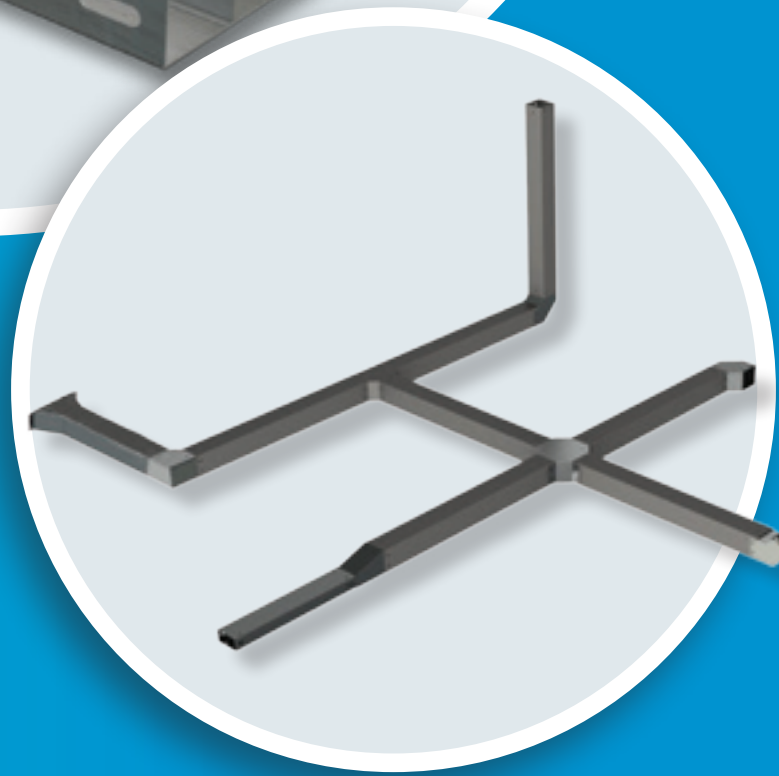


U - Separator Type



L - Separator Type





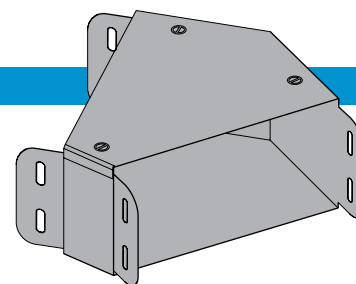
TRUNKING FITTINGS

BEND 45 ° TOP LID

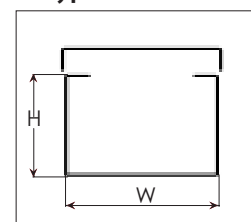
Thickness: 1 mm - 1.2 mm - 1.5 mm

TL45 7110

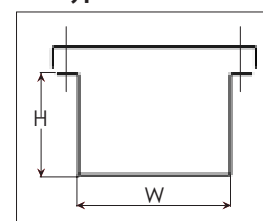
Reference			Dimensions	
1 mm	1.2 mm	1.5 mm	mm	inch
TL45 7110 050 0050 2	TL45 7110 050 0050 3	TL45 7110 050 0050 4	50 x 50 mm	(2"x2")
TL45 7110 075 0050 2	TL45 7110 075 0050 3	TL45 7110 075 0050 4	75 x 50 mm	(3"x2")
TL45 7110 075 0075 2	TL45 7110 075 0075 3	TL45 7110 075 0075 4	75 x 75 mm	(3"x3")
TL45 7110 100 0050 2	TL45 7110 100 0050 3	TL45 7110 100 0050 4	100 x 50 mm	(4"x2")
TL45 7110 100 0075 2	TL45 7110 100 0075 3	TL45 7110 100 0075 4	100 x 75 mm	(4"x3")
TL45 7110 100 0100 2	TL45 7110 100 0100 3	TL45 7110 100 0100 4	100 x 100 mm	(4"x4")
TL45 7110 150 0050 2	TL45 7110 150 0050 3	TL45 7110 150 0050 4	150 x 50 mm	(6"x2")
TL45 7110 150 0075 2	TL45 7110 150 0075 3	TL45 7110 150 0075 4	150 x 75 mm	(6"x3")
TL45 7110 150 0100 2	TL45 7110 150 0100 3	TL45 7110 150 0100 4	150 x 100 mm	(6"x4")
TL45 7110 150 0150 2	TL45 7110 150 0150 3	TL45 7110 150 0150 4	150 x 150 mm	(6"x6")
TL45 7110 200 0100 2	TL45 7110 200 0100 3	TL45 7110 200 0100 4	200 x 100 mm	(8"x4")
TL45 7110 300 0100 2	TL45 7110 300 0100 3	TL45 7110 300 0100 4	300 x 100 mm	(12"x4")
TL45 7110 450 0100 2	TL45 7110 450 0100 3	TL45 7110 450 0100 4	450 x 100 mm	(18"x4")
TL45 7110 600 0100 2	TL45 7110 600 0100 3	TL45 7110 600 0100 4	600 x 100 mm	(24"x4")



Type 1: inside



Type 2: outside



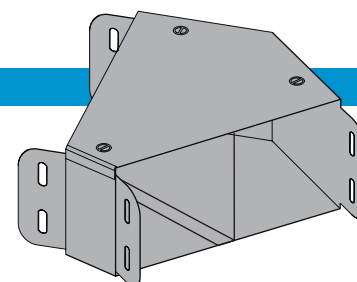
- Other dimensions are available upon request.

BEND 45 ° TOP LID DOUBLE

Thickness: 1 mm - 1.2 mm - 1.5 mm

TLD45 7110

Reference			Dimensions	
1 mm	1.2 mm	1.5 mm	mm	inch
TLD45 7110 050 0050 2	TLD45 7110 050 0050 3	TLD45 7110 050 0050 4	50 x 50 mm	(2"x2")
TLD45 7110 075 0050 2	TLD45 7110 075 0050 3	TLD45 7110 075 0050 4	75 x 50 mm	(3"x2")
TLD45 7110 075 0075 2	TLD45 7110 075 0075 3	TLD45 7110 075 0075 4	75 x 75 mm	(3"x3")
TLD45 7110 100 0050 2	TLD45 7110 100 0050 3	TLD45 7110 100 0050 4	100 x 50 mm	(4"x2")
TLD45 7110 100 0075 2	TLD45 7110 100 0075 3	TLD45 7110 100 0075 4	100 x 75 mm	(4"x3")
TLD45 7110 100 0100 2	TLD45 7110 100 0100 3	TLD45 7110 100 0100 4	100 x 100 mm	(4"x4")
TLD45 7110 150 0050 2	TLD45 7110 150 0050 3	TLD45 7110 150 0050 4	150 x 50 mm	(6"x2")
TLD45 7110 150 0075 2	TLD45 7110 150 0075 3	TLD45 7110 150 0075 4	150 x 75 mm	(6"x3")
TLD45 7110 150 0100 2	TLD45 7110 150 0100 3	TLD45 7110 150 0100 4	150 x 100 mm	(6"x4")
TLD45 7110 150 0150 2	TLD45 7110 150 0150 3	TLD45 7110 150 0150 4	150 x 150 mm	(6"x6")
TLD45 7110 200 0100 2	TLD45 7110 200 0100 3	TLD45 7110 200 0100 4	200 x 100 mm	(8"x4")
TLD45 7110 300 0100 2	TLD45 7110 300 0100 3	TLD45 7110 300 0100 4	300 x 100 mm	(12"x4")
TLD45 7110 450 0100 2	TLD45 7110 450 0100 3	TLD45 7110 450 0100 4	450 x 100 mm	(18"x4")
TLD45 7110 600 0100 2	TLD45 7110 600 0100 3	TLD45 7110 600 0100 4	600 x 100 mm	(24"x4")

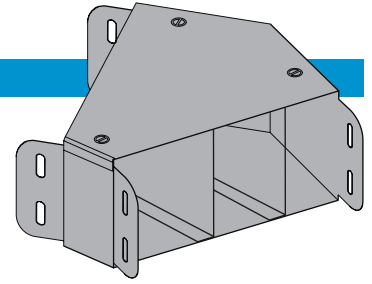


- Other dimensions are available upon request.

BEND 45 ° TOP LID TRIPLE

Thickness: 1 mm - 1.2 mm - 1.5 mm

TLT45 7110



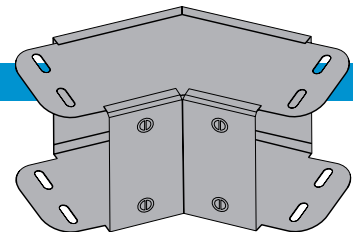
Reference			Dimensions	
1 mm	1.2 mm	1.5 mm	mm	inch
TLT45 7110 050 0050 2	TLT45 7110 050 0050 3	TLT45 7110 050 0050 4	50 x 50 mm	(2"x2")
TLT45 7110 075 0050 2	TLT45 7110 075 0050 3	TLT45 7110 075 0050 4	75 x 50 mm	(3"x2")
TLT45 7110 075 0075 2	TLT45 7110 075 0075 3	TLT45 7110 075 0075 4	75 x 75 mm	(3"x3")
TLT45 7110 100 0050 2	TLT45 7110 100 0050 3	TLT45 7110 100 0050 4	100 x 50 mm	(4"x2")
TLT45 7110 100 0075 2	TLT45 7110 100 0075 3	TLT45 7110 100 0075 4	100 x 75 mm	(4"x3")
TLT45 7110 100 0100 2	TLT45 7110 100 0100 3	TLT45 7110 100 0100 4	100 x 100 mm	(4"x4")
TLT45 7110 150 0050 2	TLT45 7110 150 0050 3	TLT45 7110 150 0050 4	150 x 50 mm	(6"x2")
TLT45 7110 150 0075 2	TLT45 7110 150 0075 3	TLT45 7110 150 0075 4	150 x 75 mm	(6"x3")
TLT45 7110 150 0100 2	TLT45 7110 150 0100 3	TLT45 7110 150 0100 4	150 x 100 mm	(6"x4")
TLT45 7110 150 0150 2	TLT45 7110 150 0150 3	TLT45 7110 150 0150 4	150 x 150 mm	(6"x6")
TLT45 7110 200 0100 2	TLT45 7110 200 0100 3	TLT45 7110 200 0100 4	200 x 100 mm	(8"x4")
TLT45 7110 300 0100 2	TLT45 7110 300 0100 3	TLT45 7110 300 0100 4	300 x 100 mm	(12"x4")
TLT45 7110 450 0100 2	TLT45 7110 450 0100 3	TLT45 7110 450 0100 4	450 x 100 mm	(18"x4")
TLT45 7110 600 0100 2	TLT45 7110 600 0100 3	TLT45 7110 600 0100 4	600 x 100 mm	(24"x4")

- Other dimensions are available upon request.

BEND 45 ° INSIDE LID

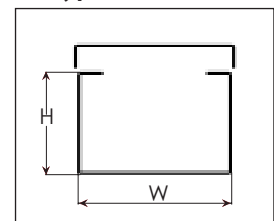
Thickness: 1 mm - 1.2 mm - 1.5 mm

IL45 7210

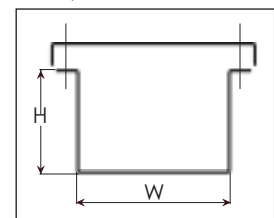


Reference			Dimensions	
1 mm	1.2 mm	1.5 mm	mm	inch
IL45 7210 050 0050 2	IL45 7210 050 0050 3	IL45 7210 050 0050 4	50 x 50 mm	(2"x2")
IL45 7210 075 0050 2	IL45 7210 075 0050 3	IL45 7210 075 0050 4	75 x 50 mm	(3"x2")
IL45 7210 075 0075 2	IL45 7210 075 0075 3	IL45 7210 075 0075 4	75 x 75 mm	(3"x3")
IL45 7210 100 0050 2	IL45 7210 100 0050 3	IL45 7210 100 0050 4	100 x 50 mm	(4"x2")
IL45 7210 100 0075 2	IL45 7210 100 0075 3	IL45 7210 100 0075 4	100 x 75 mm	(4"x3")
IL45 7210 100 0100 2	IL45 7210 100 0100 3	IL45 7210 100 0100 4	100 x 100 mm	(4"x4")
IL45 7210 150 0050 2	IL45 7210 150 0050 3	IL45 7210 150 0050 4	150 x 50 mm	(6"x2")
IL45 7210 150 0075 2	IL45 7210 150 0075 3	IL45 7210 150 0075 4	150 x 75 mm	(6"x3")
IL45 7210 150 0100 2	IL45 7210 150 0100 3	IL45 7210 150 0100 4	150 x 100 mm	(6"x4")
IL45 7210 150 0150 2	IL45 7210 150 0150 3	IL45 7210 150 0150 4	150 x 150 mm	(6"x6")
IL45 7210 200 0100 2	IL45 7210 200 0100 3	IL45 7210 200 0100 4	200 x 100 mm	(8"x4")
IL45 7210 300 0100 2	IL45 7210 300 0100 3	IL45 7210 300 0100 4	300 x 100 mm	(12"x4")
IL45 7210 450 0100 2	IL45 7210 450 0100 3	IL45 7210 450 0100 4	450 x 100 mm	(18"x4")
IL45 7210 600 0100 2	IL45 7210 600 0100 3	IL45 7210 600 0100 4	600 x 100 mm	(24"x4")

Type 1: inside



Type 2: outside

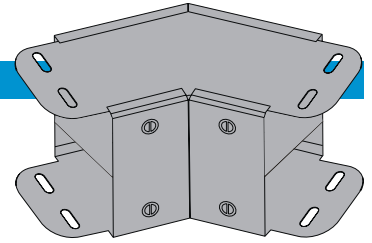


- Other dimensions are available upon request.

BEND 45 ° INSIDE LID DOUBLE

Thickness: 1 mm - 1.2 mm - 1.5 mm

ILD45 7210



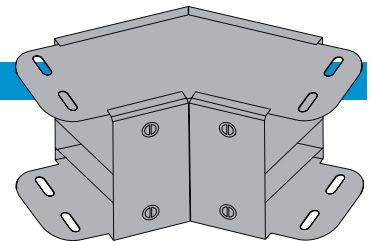
Reference			Dimensions	
1 mm	1.2 mm	1.5 mm	mm	inch
ILD45 7210 050 0050 2	ILD45 7210 050 0050 3	ILD45 7210 050 0050 4	50 x 50 mm	(2"x2")
ILD45 7210 075 0050 2	ILD45 7210 075 0050 3	ILD45 7210 075 0050 4	75 x 50 mm	(3"x2")
ILD45 7210 075 0075 2	ILD45 7210 075 0075 3	ILD45 7210 075 0075 4	75 x 75 mm	(3"x3")
ILD45 7210 100 0050 2	ILD45 7210 100 0050 3	ILD45 7210 100 0050 4	100 x 50 mm	(4"x2")
ILD45 7210 100 0075 2	ILD45 7210 100 0075 3	ILD45 7210 100 0075 4	100 x 75 mm	(4"x3")
ILD45 7210 100 0100 2	ILD45 7210 100 0100 3	ILD45 7210 100 0100 4	100 x 100 mm	(4"x4")
ILD45 7210 150 0050 2	ILD45 7210 150 0050 3	ILD45 7210 150 0050 4	150 x 50 mm	(6"x2")
ILD45 7210 150 0075 2	ILD45 7210 150 0075 3	ILD45 7210 150 0075 4	150 x 75 mm	(6"x3")
ILD45 7210 150 0100 2	ILD45 7210 150 0100 3	ILD45 7210 150 0100 4	150 x 100 mm	(6"x4")
ILD45 7210 150 0150 2	ILD45 7210 150 0150 3	ILD45 7210 150 0150 4	150 x 150 mm	(6"x6")
ILD45 7210 200 0100 2	ILD45 7210 200 0100 3	ILD45 7210 200 0100 4	200 x 100 mm	(8"x4")
ILD45 7210 300 0100 2	ILD45 7210 300 0100 3	ILD45 7210 300 0100 4	300 x 100 mm	(12"x4")
ILD45 7210 450 0100 2	ILD45 7210 450 0100 3	ILD45 7210 450 0100 4	450 x 100 mm	(18"x4")
ILD45 7210 600 0100 2	ILD45 7210 600 0100 3	ILD45 7210 600 0100 4	600 x 100 mm	(24"x4")

- Other dimensions are available upon request.

BEND 45 ° INSIDE LID TRIPLE

Thickness: 1 mm - 1.2 mm - 1.5 mm

ILT45 7210 - 7215



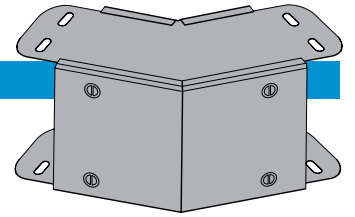
Reference			Dimensions	
1 mm	1.2 mm	1.5 mm	mm	inch
ILT45 7210 050 0050 2	ILT45 7210 050 0050 3	ILT45 7210 050 0050 4	50 x 50 mm	(2"x2")
ILT45 7210 075 0050 2	ILT45 7210 075 0050 3	ILT45 7210 075 0050 4	75 x 50 mm	(3"x2")
ILT45 7210 075 0075 2	ILT45 7210 075 0075 3	ILT45 7210 075 0075 4	75 x 75 mm	(3"x3")
ILT45 7210 100 0050 2	ILT45 7210 100 0050 3	ILT45 7210 100 0050 4	100 x 50 mm	(4"x2")
ILT45 7210 100 0075 2	ILT45 7210 100 0075 3	ILT45 7210 100 0075 4	100 x 75 mm	(4"x3")
ILT45 7210 100 0100 2	ILT45 7210 100 0100 3	ILT45 7210 100 0100 4	100 x 100 mm	(4"x4")
ILT45 7210 150 0050 2	ILT45 7210 150 0050 3	ILT45 7210 150 0050 4	150 x 50 mm	(6"x2")
ILT45 7210 150 0075 2	ILT45 7210 150 0075 3	ILT45 7210 150 0075 4	150 x 75 mm	(6"x3")
ILT45 7210 150 0100 2	ILT45 7210 150 0100 3	ILT45 7210 150 0100 4	150 x 100 mm	(6"x4")
ILT45 7210 150 0150 2	ILT45 7210 150 0150 3	ILT45 7210 150 0150 4	150 x 150 mm	(6"x6")
ILT45 7210 200 0100 2	ILT45 7210 200 0100 3	ILT45 7210 200 0100 4	200 x 100 mm	(8"x4")
ILT45 7210 300 0100 2	ILT45 7210 300 0100 3	ILT45 7210 300 0100 4	300 x 100 mm	(12"x4")
ILT45 7210 450 0100 2	ILT45 7210 450 0100 3	ILT45 7210 450 0100 4	450 x 100 mm	(18"x4")
ILT45 7210 600 0100 2	ILT45 7210 600 0100 3	ILT45 7210 600 0100 4	600 x 100 mm	(24"x4")

- Other dimensions are available upon request.

BEND 45 ° OUTSIDE LID

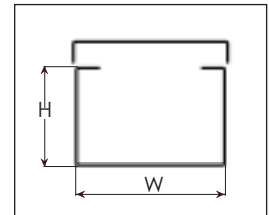
Thickness: 1 mm - 1.2 mm - 1.5 mm

OL45 7310

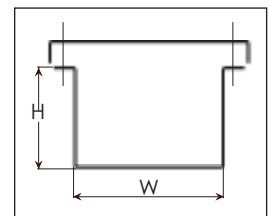


Reference			Dimensions	
1 mm	1.2 mm	1.5 mm	mm	inch
OL45 7310 050 0050 2	OL45 7310 050 0050 3	OL45 7310 050 0050 4	50 x 50 mm	(2"x2")
OL45 7310 075 0050 2	OL45 7310 075 0050 3	OL45 7310 075 0050 4	75 x 50 mm	(3"x2")
OL45 7310 075 0075 2	OL45 7310 075 0075 3	OL45 7310 075 0075 4	75 x 75 mm	(3"x3")
OL45 7310 100 0050 2	OL45 7310 100 0050 3	OL45 7310 100 0050 4	100 x 50 mm	(4"x2")
OL45 7310 100 0075 2	OL45 7310 100 0075 3	OL45 7310 100 0075 4	100 x 75 mm	(4"x3")
OL45 7310 100 0100 2	OL45 7310 100 0100 3	OL45 7310 100 0100 4	100 x 100 mm	(4"x4")
OL45 7310 150 0050 2	OL45 7310 150 0050 3	OL45 7310 150 0050 4	150 x 50 mm	(6"x2")
OL45 7310 150 0075 2	OL45 7310 150 0075 3	OL45 7310 150 0075 4	150 x 75 mm	(6"x3")
OL45 7310 150 0100 2	OL45 7310 150 0100 3	OL45 7310 150 0100 4	150 x 100 mm	(6"x4")
OL45 7310 150 0150 2	OL45 7310 150 0150 3	OL45 7310 150 0150 4	150 x 150 mm	(6"x6")
OL45 7310 200 0100 2	OL45 7310 200 0100 3	OL45 7310 200 0100 4	200 x 100 mm	(8"x4")
OL45 7310 300 0100 2	OL45 7310 300 0100 3	OL45 7310 300 0100 4	300 x 100 mm	(12"x4")
OL45 7310 450 0100 2	OL45 7310 450 0100 3	OL45 7310 450 0100 4	450 x 100 mm	(18"x4")
OL45 7310 600 0100 2	OL45 7310 600 0100 3	OL45 7310 600 0100 4	600 x 100 mm	(24"x4")

Type 1: inside



Type 2: outside

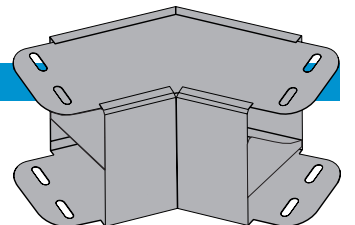


- Other dimensions are available upon request.

BEND 45 ° OUTSIDE LID DOUBLE

Thickness: 1 mm - 1.2 mm - 1.5 mm

OLD45 7310



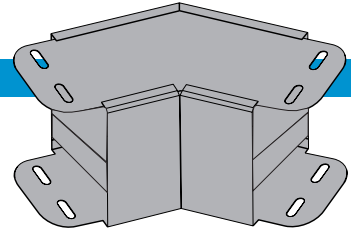
Reference			Dimensions	
1 mm	1.2 mm	1.5 mm	mm	inch
OLD45 7310 050 0050 2	OLD45 7310 050 0050 3	OLD45 7310 050 0050 4	50 x 50 mm	(2"x2")
OLD45 7310 075 0050 2	OLD45 7310 075 0050 3	OLD45 7310 075 0050 4	75 x 50 mm	(3"x2")
OLD45 7310 075 0075 2	OLD45 7310 075 0075 3	OLD45 7310 075 0075 4	75 x 75 mm	(3"x3")
OLD45 7310 100 0050 2	OLD45 7310 100 0050 3	OLD45 7310 100 0050 4	100 x 50 mm	(4"x2")
OLD45 7310 100 0075 2	OLD45 7310 100 0075 3	OLD45 7310 100 0075 4	100 x 75 mm	(4"x3")
OLD45 7310 100 0100 2	OLD45 7310 100 0100 3	OLD45 7310 100 0100 4	100 x 100 mm	(4"x4")
OLD45 7310 150 0050 2	OLD45 7310 150 0050 3	OLD45 7310 150 0050 4	150 x 50 mm	(6"x2")
OLD45 7310 150 0075 2	OLD45 7310 150 0075 3	OLD45 7310 150 0075 4	150 x 75 mm	(6"x3")
OLD45 7310 150 0100 2	OLD45 7310 150 0100 3	OLD45 7310 150 0100 4	150 x 100 mm	(6"x4")
OLD45 7310 150 0150 2	OLD45 7310 150 0150 3	OLD45 7310 150 0150 4	150 x 150 mm	(6"x6")
OLD45 7310 200 0100 2	OLD45 7310 200 0100 3	OLD45 7310 200 0100 4	200 x 100 mm	(8"x4")
OLD45 7310 300 0100 2	OLD45 7310 300 0100 3	OLD45 7310 300 0100 4	300 x 100 mm	(12"x4")
OLD45 7310 450 0100 2	OLD45 7310 450 0100 3	OLD45 7310 450 0100 4	450 x 100 mm	(18"x4")
OLD45 7310 600 0100 2	OLD45 7310 600 0100 3	OLD45 7310 600 0100 4	600 x 100 mm	(24"x4")

- Other dimensions are available upon request.

BEND 45 ° OUTSIDE LID TRIPLE

Thickness: 1 mm - 1.2 mm - 1.5 mm

OLT45 7310



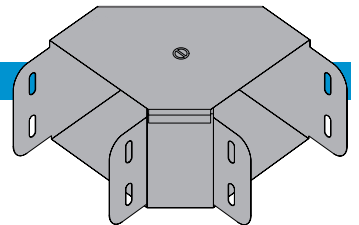
Reference			Dimensions	
1 mm	1.2 mm	1.5 mm	mm	inch
OLT45 7310 050 0050 2	OLT45 7310 050 0050 3	OLT45 7310 050 0050 4	50 x 50 mm	(2"x2")
OLT45 7310 075 0050 2	OLT45 7310 075 0050 3	OLT45 7310 075 0050 4	75 x 50 mm	(3"x2")
OLT45 7310 075 0075 2	OLT45 7310 075 0075 3	OLT45 7310 075 0075 4	75 x 75 mm	(3"x3")
OLT45 7310 100 0050 2	OLT45 7310 100 0050 3	OLT45 7310 100 0050 4	100 x 50 mm	(4"x2")
OLT45 7310 100 0075 2	OLT45 7310 100 0075 3	OLT45 7310 100 0075 4	100 x 75 mm	(4"x3")
OLT45 7310 100 0100 2	OLT45 7310 100 0100 3	OLT45 7310 100 0100 4	100 x 100 mm	(4"x4")
OLT45 7310 150 0050 2	OLT45 7310 150 0050 3	OLT45 7310 150 0050 4	150 x 50 mm	(6"x2")
OLT45 7310 150 0075 2	OLT45 7310 150 0075 3	OLT45 7310 150 0075 4	150 x 75 mm	(6"x3")
OLT45 7310 150 0100 2	OLT45 7310 150 0100 3	OLT45 7310 150 0100 4	150 x 100 mm	(6"x4")
OLT45 7310 150 0150 2	OLT45 7310 150 0150 3	OLT45 7310 150 0150 4	150 x 150 mm	(6"x6")
OLT45 7310 200 0100 2	OLT45 7310 200 0100 3	OLT45 7310 200 0100 4	200 x 100 mm	(8"x4")
OLT45 7310 300 0100 2	OLT45 7310 300 0100 3	OLT45 7310 300 0100 4	300 x 100 mm	(12"x4")
OLT45 7310 450 0100 2	OLT45 7310 450 0100 3	OLT45 7310 450 0100 4	450 x 100 mm	(18"x4")
OLT45 7310 600 0100 2	OLT45 7310 600 0100 3	OLT45 7310 600 0100 4	600 x 100 mm	(24"x4")

- Other dimensions are available upon request.

BEND 90 ° TOP LID

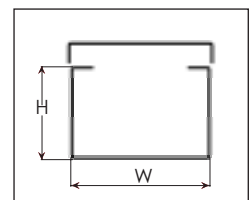
Thickness: 1 mm - 1.2 mm - 1.5 mm

TL90 7410

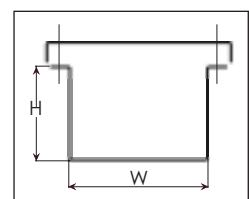


TL90 7410 C
Cornered

Type 1: inside



Type 2: outside



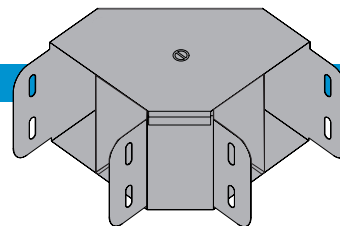
Reference			Dimensions	
1 mm	1.2 mm	1.5 mm	mm	inch
TL90 7410 050 0050 2	TL90 7410 050 0050 3	TL90 7410 050 0050 4	50 x 50 mm	(2"x2")
TL90 7410 075 0050 2	TL90 7410 075 0050 3	TL90 7410 075 0050 4	75 x 50 mm	(3"x2")
TL90 7410 075 0075 2	TL90 7410 075 0075 3	TL90 7410 075 0075 4	75 x 75 mm	(3"x3")
TL90 7410 100 0050 2	TL90 7410 100 0050 3	TL90 7410 100 0050 4	100 x 50 mm	(4"x2")
TL90 7410 100 0075 2	TL90 7410 100 0075 3	TL90 7410 100 0075 4	100 x 75 mm	(4"x3")
TL90 7410 100 0100 2	TL90 7410 100 0100 3	TL90 7410 100 0100 4	100 x 100 mm	(4"x4")
TL90 7410 150 0050 2	TL90 7410 150 0050 3	TL90 7410 150 0050 4	150 x 50 mm	(6"x2")
TL90 7410 150 0075 2	TL90 7410 150 0075 3	TL90 7410 150 0075 4	150 x 75 mm	(6"x3")
TL90 7410 150 0100 2	TL90 7410 150 0100 3	TL90 7410 150 0100 4	150 x 100 mm	(6"x4")
TL90 7410 150 0150 2	TL90 7410 150 0150 3	TL90 7410 150 0150 4	150 x 150 mm	(6"x6")
TL90 7410 200 0100 2	TL90 7410 200 0100 3	TL90 7410 200 0100 4	200 x 100 mm	(8"x4")
TL90 7410 300 0100 2	TL90 7410 300 0100 3	TL90 7410 300 0100 4	300 x 100 mm	(12"x4")
TL90 7410 450 0100 2	TL90 7410 450 0100 3	TL90 7410 450 0100 4	450 x 100 mm	(18"x4")
TL90 7410 600 0100 2	TL90 7410 600 0100 3	TL90 7410 600 0100 4	600 x 100 mm	(24"x4")

- Other dimensions are available upon request.

BEND 90 ° TOP LID DOUBLE

Thickness: 1 mm - 1.2 mm - 1.5 mm

TLD90 7410



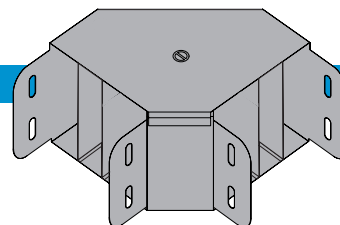
Reference			Dimensions	
1 mm	1.2 mm	1.5 mm	mm	inch
TLD90 7410 050 0050 2	TLD90 7410 050 0050 3	TLD90 7410 050 0050 4	50 x 50 mm	(2"x2")
TLD90 7410 075 0050 2	TLD90 7410 075 0050 3	TLD90 7410 075 0050 4	75 x 50 mm	(3"x2")
TLD90 7410 075 0075 2	TLD90 7410 075 0075 3	TLD90 7410 075 0075 4	75 x 75 mm	(3"x3")
TLD90 7410 100 0050 2	TLD90 7410 100 0050 3	TLD90 7410 100 0050 4	100 x 50 mm	(4"x2")
TLD90 7410 100 0075 2	TLD90 7410 100 0075 3	TLD90 7410 100 0075 4	100 x 75 mm	(4"x3")
TLD90 7410 100 0100 2	TLD90 7410 100 0100 3	TLD90 7410 100 0100 4	100 x 100 mm	(4"x4")
TLD90 7410 150 0050 2	TLD90 7410 150 0050 3	TLD90 7410 150 0050 4	150 x 50 mm	(6"x2")
TLD90 7410 150 0075 2	TLD90 7410 150 0075 3	TLD90 7410 150 0075 4	150 x 75 mm	(6"x3")
TLD90 7410 150 0100 2	TLD90 7410 150 0100 3	TLD90 7410 150 0100 4	150 x 100 mm	(6"x4")
TLD90 7410 150 0150 2	TLD90 7410 150 0150 3	TLD90 7410 150 0150 4	150 x 150 mm	(6"x6")
TLD90 7410 200 0100 2	TLD90 7410 200 0100 3	TLD90 7410 200 0100 4	200 x 100 mm	(8"x4")
TLD90 7410 300 0100 2	TLD90 7410 300 0100 3	TLD90 7410 300 0100 4	300 x 100 mm	(12"x4")
TLD90 7410 450 0100 2	TLD90 7410 450 0100 3	TLD90 7410 450 0100 4	450 x 100 mm	(18"x4")
TLD90 7410 600 0100 2	TLD90 7410 600 0100 3	TLD90 7410 600 0100 4	600 x 100 mm	(24"x4")

- Other dimensions are available upon request.

BEND 90 ° TOP LID TRIPLE

Thickness: 1 mm - 1.2 mm - 1.5 mm

TLT90 7410



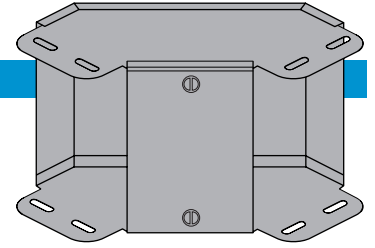
Reference			Dimensions	
1 mm	1.2 mm	1.5 mm	mm	inch
TLT90 7410 050 0050 2	TLT90 7410 050 0050 3	TLT90 7410 050 0050 4	50 x 50 mm	(2"x2")
TLT90 7410 075 0050 2	TLT90 7410 075 0050 3	TLT90 7410 075 0050 4	75 x 50 mm	(3"x2")
TLT90 7410 075 0075 2	TLT90 7410 075 0075 3	TLT90 7410 075 0075 4	75 x 75 mm	(3"x3")
TLT90 7410 100 0050 2	TLT90 7410 100 0050 3	TLT90 7410 100 0050 4	100 x 50 mm	(4"x2")
TLT90 7410 100 0075 2	TLT90 7410 100 0075 3	TLT90 7410 100 0075 4	100 x 75 mm	(4"x3")
TLT90 7410 100 0100 2	TLT90 7410 100 0100 3	TLT90 7410 100 0100 4	100 x 100 mm	(4"x4")
TLT90 7410 150 0050 2	TLT90 7410 150 0050 3	TLT90 7410 150 0050 4	150 x 50 mm	(6"x2")
TLT90 7410 150 0075 2	TLT90 7410 150 0075 3	TLT90 7410 150 0075 4	150 x 75 mm	(6"x3")
TLT90 7410 150 0100 2	TLT90 7410 150 0100 3	TLT90 7410 150 0100 4	150 x 100 mm	(6"x4")
TLT90 7410 150 0150 2	TLT90 7410 150 0150 3	TLT90 7410 150 0150 4	150 x 150 mm	(6"x6")
TLT90 7410 200 0100 2	TLT90 7410 200 0100 3	TLT90 7410 200 0100 4	200 x 100 mm	(8"x4")
TLT90 7410 300 0100 2	TLT90 7410 300 0100 3	TLT90 7410 300 0100 4	300 x 100 mm	(12"x4")
TLT90 7410 450 0100 2	TLT90 7410 450 0100 3	TLT90 7410 450 0100 4	450 x 100 mm	(18"x4")
TLT90 7410 600 0100 2	TLT90 7410 600 0100 3	TLT90 7410 600 0100 4	600 x 100 mm	(24"x4")

- Other dimensions are available upon request.

BEND 90 ° INSIDE LID

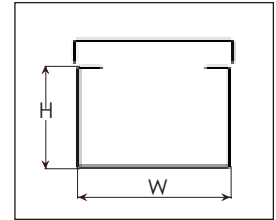
Thickness: 1 mm - 1.2 mm - 1.5 mm

IL90 7510

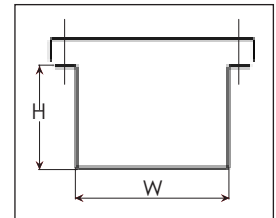


Reference			Dimensions	
1 mm	1.2 mm	1.5 mm	mm	inch
IL90 7510 050 0050 2	IL90 7510 050 0050 3	IL90 7510 050 0050 4	50 x 50 mm	(2"x2")
IL90 7510 075 0050 2	IL90 7510 075 0050 3	IL90 7510 075 0050 4	75 x 50 mm	(3"x2")
IL90 7510 075 0075 2	IL90 7510 075 0075 3	IL90 7510 075 0075 4	75 x 75 mm	(3"x3")
IL90 7510 100 0050 2	IL90 7510 100 0050 3	IL90 7510 100 0050 4	100 x 50 mm	(4"x2")
IL90 7510 100 0075 2	IL90 7510 100 0075 3	IL90 7510 100 0075 4	100 x 75 mm	(4"x3")
IL90 7510 100 0100 2	IL90 7510 100 0100 3	IL90 7510 100 0100 4	100 x 100 mm	(4"x4")
IL90 7510 150 0050 2	IL90 7510 150 0050 3	IL90 7510 150 0050 4	150 x 50 mm	(6"x2")
IL90 7510 150 0075 2	IL90 7510 150 0075 3	IL90 7510 150 0075 4	150 x 75 mm	(6"x3")
IL90 7510 150 0100 2	IL90 7510 150 0100 3	IL90 7510 150 0100 4	150 x 100 mm	(6"x4")
IL90 7510 150 0150 2	IL90 7510 150 0150 3	IL90 7510 150 0150 4	150 x 150 mm	(6"x6")
IL90 7510 200 0100 2	IL90 7510 200 0100 3	IL90 7510 200 0100 4	200 x 100 mm	(8"x4")
IL90 7510 300 0100 2	IL90 7510 300 0100 3	IL90 7510 300 0100 4	300 x 100 mm	(12"x4")
IL90 7510 450 0100 2	IL90 7510 450 0100 3	IL90 7510 450 0100 4	450 x 100 mm	(18"x4")
IL90 7510 600 0100 2	IL90 7510 600 0100 3	IL90 7510 600 0100 4	600 x 100 mm	(24"x4")

Type 1: inside



Type 2: outside

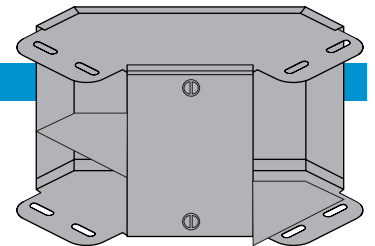


- Other dimensions are available upon request.

BEND 90 ° INSIDE LID DOUBLE

Thickness: 1 mm - 1.2 mm - 1.5 mm

IL90 7510



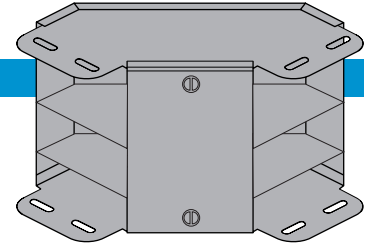
Reference			Dimensions	
1 mm	1.2 mm	1.5 mm	mm	inch
ILD90 7510 050 0050 2	ILD90 7510 050 0050 3	ILD90 7510 050 0050 4	50 x 50 mm	(2"x2")
ILD90 7510 075 0050 2	ILD90 7510 075 0050 3	ILD90 7510 075 0050 4	75 x 50 mm	(3"x2")
ILD90 7510 075 0075 2	ILD90 7510 075 0075 3	ILD90 7510 075 0075 4	75 x 75 mm	(3"x3")
ILD90 7510 100 0050 2	ILD90 7510 100 0050 3	ILD90 7510 100 0050 4	100 x 50 mm	(4"x2")
ILD90 7510 100 0075 2	ILD90 7510 100 0075 3	ILD90 7510 100 0075 4	100 x 75 mm	(4"x3")
ILD90 7510 100 0100 2	ILD90 7510 100 0100 3	ILD90 7510 100 0100 4	100 x 100 mm	(4"x4")
ILD90 7510 150 0050 2	ILD90 7510 150 0050 3	ILD90 7510 150 0050 4	150 x 50 mm	(6"x2")
ILD90 7510 150 0075 2	ILD90 7510 150 0075 3	ILD90 7510 150 0075 4	150 x 75 mm	(6"x3")
ILD90 7510 150 0100 2	ILD90 7510 150 0100 3	ILD90 7510 150 0100 4	150 x 100 mm	(6"x4")
ILD90 7510 150 0150 2	ILD90 7510 150 0150 3	ILD90 7510 150 0150 4	150 x 150 mm	(6"x6")
ILD90 7510 200 0100 2	ILD90 7510 200 0100 3	ILD90 7510 200 0100 4	200 x 100 mm	(8"x4")
ILD90 7510 300 0100 2	ILD90 7510 300 0100 3	ILD90 7510 300 0100 4	300 x 100 mm	(12"x4")
ILD90 7510 450 0100 2	ILD90 7510 450 0100 3	ILD90 7510 450 0100 4	450 x 100 mm	(18"x4")
ILD90 7510 600 0100 2	ILD90 7510 600 0100 3	ILD90 7510 600 0100 4	600 x 100 mm	(24"x4")

- Other dimensions are available upon request.

BEND 90 ° INSIDE LID DOUBLE

Thickness: 1 mm - 1.2 mm - 1.5 mm

ILT90 7510



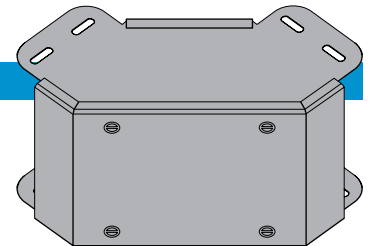
Reference			Dimensions	
1 mm	1.2 mm	1.5 mm	mm	inch
ILT90 7510 050 0050 2	ILT90 7510 050 0050 3	ILT90 7510 050 0050 4	50 x 50 mm	(2"x2")
ILT90 7510 075 0050 2	ILT90 7510 075 0050 3	ILT90 7510 075 0050 4	75 x 50 mm	(3"x2")
ILT90 7510 075 0075 2	ILT90 7510 075 0075 3	ILT90 7510 075 0075 4	75 x 75 mm	(3"x3")
ILT90 7510 100 0050 2	ILT90 7510 100 0050 3	ILT90 7510 100 0050 4	100 x 50 mm	(4"x2")
ILT90 7510 100 0075 2	ILT90 7510 100 0075 3	ILT90 7510 100 0075 4	100 x 75 mm	(4"x3")
ILT90 7510 100 0100 2	ILT90 7510 100 0100 3	ILT90 7510 100 0100 4	100 x 100 mm	(4"x4")
ILT90 7510 150 0050 2	ILT90 7510 150 0050 3	ILT90 7510 150 0050 4	150 x 50 mm	(6"x2")
ILT90 7510 150 0075 2	ILT90 7510 150 0075 3	ILT90 7510 150 0075 4	150 x 75 mm	(6"x3")
ILT90 7510 150 0100 2	ILT90 7510 150 0100 3	ILT90 7510 150 0100 4	150 x 100 mm	(6"x4")
ILT90 7510 150 0150 2	ILT90 7510 150 0150 3	ILT90 7510 150 0150 4	150 x 150 mm	(6"x6")
ILT90 7510 200 0100 2	ILT90 7510 200 0100 3	ILT90 7510 200 0100 4	200 x 100 mm	(8"x4")
ILT90 7510 300 0100 2	ILT90 7510 300 0100 3	ILT90 7510 300 0100 4	300 x 100 mm	(12"x4")
ILT90 7510 450 0100 2	ILT90 7510 450 0100 3	ILT90 7510 450 0100 4	450 x 100 mm	(18"x4")
ILT90 7510 600 0100 2	ILT90 7510 600 0100 3	ILT90 7510 600 0100 4	600 x 100 mm	(24"x4")

- Other dimensions are available upon request.

BEND 90 ° OUTSIDE LID

Thickness: 1 mm - 1.2 mm - 1.5 mm

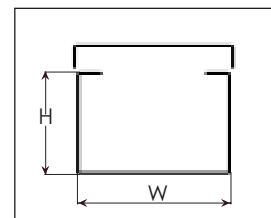
OL90 7610



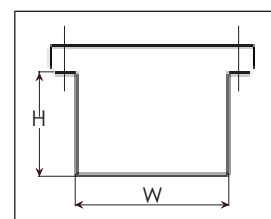
Reference			Dimensions	
1 mm	1.2 mm	1.5 mm	mm	inch
OL90 7610 050 0050 2	OL90 7610 050 0050 3	OL90 7610 050 0050 4	50 x 50 mm	(2"x2")
OL90 7610 075 0050 2	OL90 7610 075 0050 3	OL90 7610 075 0050 4	75 x 50 mm	(3"x2")
OL90 7610 075 0075 2	OL90 7610 075 0075 3	OL90 7610 075 0075 4	75 x 75 mm	(3"x3")
OL90 7610 100 0050 2	OL90 7610 100 0050 3	OL90 7610 100 0050 4	100 x 50 mm	(4"x2")
OL90 7610 100 0075 2	OL90 7610 100 0075 3	OL90 7610 100 0075 4	100 x 75 mm	(4"x3")
OL90 7610 100 0100 2	OL90 7610 100 0100 3	OL90 7610 100 0100 4	100 x 100 mm	(4"x4")
OL90 7610 150 0050 2	OL90 7610 150 0050 3	OL90 7610 150 0050 4	150 x 50 mm	(6"x2")
OL90 7610 150 0075 2	OL90 7610 150 0075 3	OL90 7610 150 0075 4	150 x 75 mm	(6"x3")
OL90 7610 150 0100 2	OL90 7610 150 0100 3	OL90 7610 150 0100 4	150 x 100 mm	(6"x4")
OL90 7610 150 0150 2	OL90 7610 150 0150 3	OL90 7610 150 0150 4	150 x 150 mm	(6"x6")
OL90 7610 200 0100 2	OL90 7610 200 0100 3	OL90 7610 200 0100 4	200 x 100 mm	(8"x4")
OL90 7610 300 0100 2	OL90 7610 300 0100 3	OL90 7610 300 0100 4	300 x 100 mm	(12"x4")
OL90 7610 450 0100 2	OL90 7610 450 0100 3	OL90 7610 450 0100 4	450 x 100 mm	(18"x4")
OL90 7610 600 0100 2	OL90 7610 600 0100 3	OL90 7610 600 0100 4	600 x 100 mm	(24"x4")

- Other dimensions are available upon request.

Type 1: inside



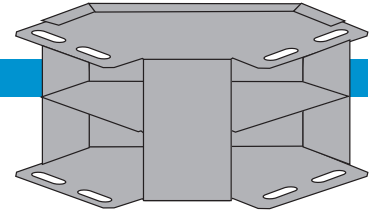
Type 2: outside



BEND 90 ° OUTSIDE LID DOUBLE

Thickness: 1 mm - 1.2 mm - 1.5 mm

OLD90 7610



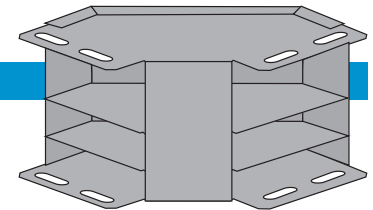
Reference			Dimensions	
1 mm	1.2 mm	1.5 mm	mm	inch
OLD90 7610 050 0050 2	OLD90 7610 050 0050 3	OLD90 7610 050 0050 4	50 x 50 mm	(2"x2")
OLD90 7610 075 0050 2	OLD90 7610 075 0050 3	OLD90 7610 075 0050 4	75 x 50 mm	(3"x2")
OLD90 7610 075 0075 2	OLD90 7610 075 0075 3	OLD90 7610 075 0075 4	75 x 75 mm	(3"x3")
OLD90 7610 100 0050 2	OLD90 7610 100 0050 3	OLD90 7610 100 0050 4	100 x 50 mm	(4"x2")
OLD90 7610 100 0075 2	OLD90 7610 100 0075 3	OLD90 7610 100 0075 4	100 x 75 mm	(4"x3")
OLD90 7610 100 0100 2	OLD90 7610 100 0100 3	OLD90 7610 100 0100 4	100 x 100 mm	(4"x4")
OLD90 7610 150 0050 2	OLD90 7610 150 0050 3	OLD90 7610 150 0050 4	150 x 50 mm	(6"x2")
OLD90 7610 150 0075 2	OLD90 7610 150 0075 3	OLD90 7610 150 0075 4	150 x 75 mm	(6"x3")
OLD90 7610 150 0100 2	OLD90 7610 150 0100 3	OLD90 7610 150 0100 4	150 x 100 mm	(6"x4")
OLD90 7610 150 0150 2	OLD90 7610 150 0150 3	OLD90 7610 150 0150 4	150 x 150 mm	(6"x6")
OLD90 7610 200 0100 2	OLD90 7610 200 0100 3	OLD90 7610 200 0100 4	200 x 100 mm	(8"x4")
OLD90 7610 300 0100 2	OLD90 7610 300 0100 3	OLD90 7610 300 0100 4	300 x 100 mm	(12"x4")
OLD90 7610 450 0100 2	OLD90 7610 450 0100 3	OLD90 7610 450 0100 4	450 x 100 mm	(18"x4")
OLD90 7610 600 0100 2	OLD90 7610 600 0100 3	OLD90 7610 600 0100 4	600 x 100 mm	(24"x4")

- Other dimensions are available upon request.

BEND 90 ° OUTSIDE LID TRIPLE

Thickness: 1 mm - 1.2 mm - 1.5 mm

OLT90 7610



Reference			Dimensions	
1 mm	1.2 mm	1.5 mm	mm	inch
OLT90 7610 050 0050 2	OLT90 7610 050 0050 3	OLT90 7610 050 0050 4	50 x 50 mm	(2"x2")
OLT90 7610 075 0050 2	OLT90 7610 075 0050 3	OLT90 7610 075 0050 4	75 x 50 mm	(3"x2")
OLT90 7610 075 0075 2	OLT90 7610 075 0075 3	OLT90 7610 075 0075 4	75 x 75 mm	(3"x3")
OLT90 7610 100 0050 2	OLT90 7610 100 0050 3	OLT90 7610 100 0050 4	100 x 50 mm	(4"x2")
OLT90 7610 100 0075 2	OLT90 7610 100 0075 3	OLT90 7610 100 0075 4	100 x 75 mm	(4"x3")
OLT90 7610 100 0100 2	OLT90 7610 100 0100 3	OLT90 7610 100 0100 4	100 x 100 mm	(4"x4")
OLT90 7610 150 0050 2	OLT90 7610 150 0050 3	OLT90 7610 150 0050 4	150 x 50 mm	(6"x2")
OLT90 7610 150 0075 2	OLT90 7610 150 0075 3	OLT90 7610 150 0075 4	150 x 75 mm	(6"x3")
OLT90 7610 150 0100 2	OLT90 7610 150 0100 3	OLT90 7610 150 0100 4	150 x 100 mm	(6"x4")
OLT90 7610 150 0150 2	OLT90 7610 150 0150 3	OLT90 7610 150 0150 4	150 x 150 mm	(6"x6")
OLT90 7610 200 0100 2	OLT90 7610 200 0100 3	OLT90 7610 200 0100 4	200 x 100 mm	(8"x4")
OLT90 7610 300 0100 2	OLT90 7610 300 0100 3	OLT90 7610 300 0100 4	300 x 100 mm	(12"x4")
OLT90 7610 450 0100 2	OLT90 7610 450 0100 3	OLT90 7610 450 0100 4	450 x 100 mm	(18"x4")
OLT90 7610 600 0100 2	OLT90 7610 600 0100 3	OLT90 7610 600 0100 4	600 x 100 mm	(24"x4")

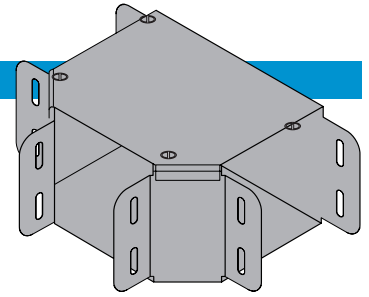
- Other dimensions are available upon request.

TEE BEND TOP LID

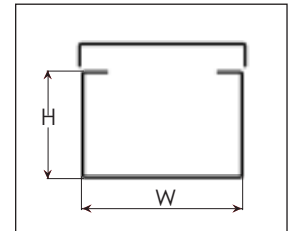
Thickness: 1 mm - 1.2 mm - 1.5 mm

TBTL 7710

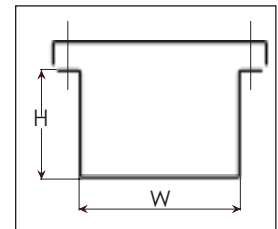
Reference			Dimensions	
1 mm	1.2 mm	1.5 mm	mm	inch
TBTL 7710 050 0050 2	TBTL 7710 050 0050 3	TBTL 7710 050 0050 4	50 x 50 mm	(2"x2")
TBTL 7710 075 0050 2	TBTL 7710 075 0050 3	TBTL 7710 075 0050 4	75 x 50 mm	(3"x2")
TBTL 7710 075 0075 2	TBTL 7710 075 0075 3	TBTL 7710 075 0075 4	75 x 75 mm	(3"x3")
TBTL 7710 100 0050 2	TBTL 7710 100 0050 3	TBTL 7710 100 0050 4	100 x 50 mm	(4"x2")
TBTL 7710 100 0075 2	TBTL 7710 100 0075 3	TBTL 7710 100 0075 4	100 x 75 mm	(4"x3")
TBTL 7710 100 0100 2	TBTL 7710 100 0100 3	TBTL 7710 100 0100 4	100 x 100 mm	(4"x4")
TBTL 7710 150 0050 2	TBTL 7710 150 0050 3	TBTL 7710 150 0050 4	150 x 50 mm	(6"x2")
TBTL 7710 150 0075 2	TBTL 7710 150 0075 3	TBTL 7710 150 0075 4	150 x 75 mm	(6"x3")
TBTL 7710 150 0100 2	TBTL 7710 150 0100 3	TBTL 7710 150 0100 4	150 x 100 mm	(6"x4")
TBTL 7710 150 0150 2	TBTL 7710 150 0150 3	TBTL 7710 150 0150 4	150 x 150 mm	(6"x6")
TBTL 7710 200 0100 2	TBTL 7710 200 0100 3	TBTL 7710 200 0100 4	200 x 100 mm	(8"x4")
TBTL 7710 300 0100 2	TBTL 7710 300 0100 3	TBTL 7710 300 0100 4	300 x 100 mm	(12"x4")
TBTL 7710 450 0100 2	TBTL 7710 450 0100 3	TBTL 7710 450 0100 4	450 x 100 mm	(18"x4")
TBTL 7710 600 0100 2	TBTL 7710 600 0100 3	TBTL 7710 600 0100 4	600 x 100 mm	(24"x4")



Type 1: inside



Type 2: outside



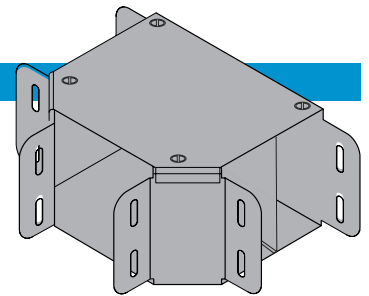
- Other dimensions are available upon request.

TEE BEND TOP LID DOUBLE

Thickness: 1 mm - 1.2 mm - 1.5 mm

TBTLD 7710

Reference			Dimensions	
1 mm	1.2 mm	1.5 mm	mm	inch
TBTLD 7710 050 0050 2	TBTLD 7710 050 0050 3	TBTLD 7710 050 0050 4	50 x 50 mm	(2"x2")
TBTLD 7710 075 0050 2	TBTLD 7710 075 0050 3	TBTLD 7710 075 0050 4	75 x 50 mm	(3"x2")
TBTLD 7710 075 0075 2	TBTLD 7710 075 0075 3	TBTLD 7710 075 0075 4	75 x 75 mm	(3"x3")
TBTLD 7710 100 0050 2	TBTLD 7710 100 0050 3	TBTLD 7710 100 0050 4	100 x 50 mm	(4"x2")
TBTLD 7710 100 0075 2	TBTLD 7710 100 0075 3	TBTLD 7710 100 0075 4	100 x 75 mm	(4"x3")
TBTLD 7710 100 0100 2	TBTLD 7710 100 0100 3	TBTLD 7710 100 0100 4	100 x 100 mm	(4"x4")
TBTLD 7710 150 0050 2	TBTLD 7710 150 0050 3	TBTLD 7710 150 0050 4	150 x 50 mm	(6"x2")
TBTLD 7710 150 0075 2	TBTLD 7710 150 0075 3	TBTLD 7710 150 0075 4	150 x 75 mm	(6"x3")
TBTLD 7710 150 0100 2	TBTLD 7710 150 0100 3	TBTLD 7710 150 0100 4	150 x 100 mm	(6"x4")
TBTLD 7710 150 0150 2	TBTLD 7710 150 0150 3	TBTLD 7710 150 0150 4	150 x 150 mm	(6"x6")
TBTLD 7710 200 0100 2	TBTLD 7710 200 0100 3	TBTLD 7710 200 0100 4	200 x 100 mm	(8"x4")
TBTLD 7710 300 0100 2	TBTLD 7710 300 0100 3	TBTLD 7710 300 0100 4	300 x 100 mm	(12"x4")
TBTLD 7710 450 0100 2	TBTLD 7710 450 0100 3	TBTLD 7710 450 0100 4	450 x 100 mm	(18"x4")
TBTLD 7710 600 0100 2	TBTLD 7710 600 0100 3	TBTLD 7710 600 0100 4	600 x 100 mm	(24"x4")

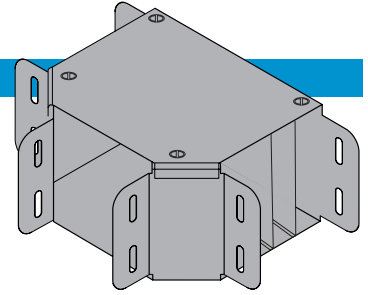


- Other dimensions are available upon request.

TEE BEND TOP LID TRIPLE

Thickness: 1 mm - 1.2 mm - 1.5 mm

TBTLT 7710



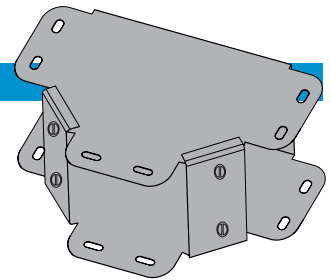
Reference			Dimensions	
1 mm	1.2 mm	1.5 mm	mm	inch
TBTLT 7710 050 0050 2	TBTLT 7710 050 0050 3	TBTLT 7710 050 0050 4	50 x 50 mm	(2"x2")
TBTLT 7710 075 0050 2	TBTLT 7710 075 0050 3	TBTLT 7710 075 0050 4	75 x 50 mm	(3"x2")
TBTLT 7710 075 0075 2	TBTLT 7710 075 0075 3	TBTLT 7710 075 0075 4	75 x 75 mm	(3"x3")
TBTLT 7710 100 0050 2	TBTLT 7710 100 0050 3	TBTLT 7710 100 0050 4	100 x 50 mm	(4"x2")
TBTLT 7710 100 0075 2	TBTLT 7710 100 0075 3	TBTLT 7710 100 0075 4	100 x 75 mm	(4"x3")
TBTLT 7710 100 0100 2	TBTLT 7710 100 0100 3	TBTLT 7710 100 0100 4	100 x 100 mm	(4"x4")
TBTLT 7710 150 0050 2	TBTLT 7710 150 0050 3	TBTLT 7710 150 0050 4	150 x 50 mm	(6"x2")
TBTLT 7710 150 0075 2	TBTLT 7710 150 0075 3	TBTLT 7710 150 0075 4	150 x 75 mm	(6"x3")
TBTLT 7710 150 0100 2	TBTLT 7710 150 0100 3	TBTLT 7710 150 0100 4	150 x 100 mm	(6"x4")
TBTLT 7710 150 0150 2	TBTLT 7710 150 0150 3	TBTLT 7710 150 0150 4	150 x 150 mm	(6"x6")
TBTLT 7710 200 0100 2	TBTLT 7710 200 0100 3	TBTLT 7710 200 0100 4	200 x 100 mm	(8"x4")
TBTLT 7710 300 0100 2	TBTLT 7710 300 0100 3	TBTLT 7710 300 0100 4	300 x 100 mm	(12"x4")
TBTLT 7710 450 0100 2	TBTLT 7710 450 0100 3	TBTLT 7710 450 0100 4	450 x 100 mm	(18"x4")
TBTLT 7710 600 0100 2	TBTLT 7710 600 0100 3	TBTLT 7710 600 0100 4	600 x 100 mm	(24"x4")

- Other dimensions are available upon request.

TEE BEND INSIDE LID

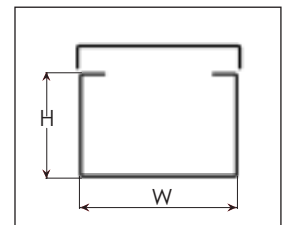
Thickness: 1 mm - 1.2 mm - 1.5 mm

TBIL 7810

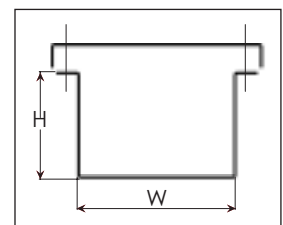


Reference			Dimensions	
1 mm	1.2 mm	1.5 mm	mm	inch
TBIL 7810 050 0050 2	TBIL 7810 050 0050 3	TBIL 7810 050 0050 4	50 x 50 mm	(2"x2")
TBIL 7810 075 0050 2	TBIL 7810 075 0050 3	TBIL 7810 075 0050 4	75 x 50 mm	(3"x2")
TBIL 7810 075 0075 2	TBIL 7810 075 0075 3	TBIL 7810 075 0075 4	75 x 75 mm	(3"x3")
TBIL 7810 100 0050 2	TBIL 7810 100 0050 3	TBIL 7810 100 0050 4	100 x 50 mm	(4"x2")
TBIL 7810 100 0075 2	TBIL 7810 100 0075 3	TBIL 7810 100 0075 4	100 x 75 mm	(4"x3")
TBIL 7810 100 0100 2	TBIL 7810 100 0100 3	TBIL 7810 100 0100 4	100 x 100 mm	(4"x4")
TBIL 7810 150 0050 2	TBIL 7810 150 0050 3	TBIL 7810 150 0050 4	150 x 50 mm	(6"x2")
TBIL 7810 150 0075 2	TBIL 7810 150 0075 3	TBIL 7810 150 0075 4	150 x 75 mm	(6"x3")
TBIL 7810 150 0100 2	TBIL 7810 150 0100 3	TBIL 7810 150 0100 4	150 x 100 mm	(6"x4")
TBIL 7810 150 0150 2	TBIL 7810 150 0150 3	TBIL 7810 150 0150 4	150 x 150 mm	(6"x6")
TBIL 7810 200 0100 2	TBIL 7810 200 0100 3	TBIL 7810 200 0100 4	200 x 100 mm	(8"x4")
TBIL 7810 300 0100 2	TBIL 7810 300 0100 3	TBIL 7810 300 0100 4	300 x 100 mm	(12"x4")
TBIL 7810 450 0100 2	TBIL 7810 450 0100 3	TBIL 7810 450 0100 4	450 x 100 mm	(18"x4")
TBIL 7810 600 0100 2	TBIL 7810 600 0100 3	TBIL 7810 600 0100 4	600 x 100 mm	(24"x4")

Type 1: inside



Type 2: outside

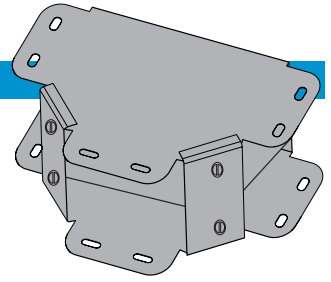


- Other dimensions are available upon request.

TEE BEND INSIDE LID DOUBLE

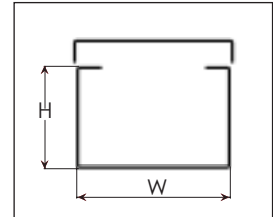
Thickness: 1 mm - 1.2 mm - 1.5 mm

TBILD 7810

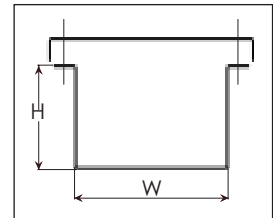


Reference			Dimensions	
1 mm	1.2 mm	1.5 mm	mm	inch
TBILD 7810 050 0050 2	TBILD 7810 050 0050 3	TBILD 7810 050 0050 4	50 x 50 mm	(2"x2")
TBILD 7810 075 0050 2	TBILD 7810 075 0050 3	TBILD 7810 075 0050 4	75 x 50 mm	(3"x2")
TBILD 7810 075 0075 2	TBILD 7810 075 0075 3	TBILD 7810 075 0075 4	75 x 75 mm	(3"x3")
TBILD 7810 100 0050 2	TBILD 7810 100 0050 3	TBILD 7810 100 0050 4	100 x 50 mm	(4"x2")
TBILD 7810 100 0075 2	TBILD 7810 100 0075 3	TBILD 7810 100 0075 4	100 x 75 mm	(4"x3")
TBILD 7810 100 0100 2	TBILD 7810 100 0100 3	TBILD 7810 100 0100 4	100 x 100 mm	(4"x4")
TBILD 7810 150 0050 2	TBILD 7810 150 0050 3	TBILD 7810 150 0050 4	150 x 50 mm	(6"x2")
TBILD 7810 150 0075 2	TBILD 7810 150 0075 3	TBILD 7810 150 0075 4	150 x 75 mm	(6"x3")
TBILD 7810 150 0100 2	TBILD 7810 150 0100 3	TBILD 7810 150 0100 4	150 x 100 mm	(6"x4")
TBILD 7810 150 0150 2	TBILD 7810 150 0150 3	TBILD 7810 150 0150 4	150 x 150 mm	(6"x6")
TBILD 7810 200 0100 2	TBILD 7810 200 0100 3	TBILD 7810 200 0100 4	200 x 100 mm	(8"x4")
TBILD 7810 300 0100 2	TBILD 7810 300 0100 3	TBILD 7810 300 0100 4	300 x 100 mm	(12"x4")
TBILD 7810 450 0100 2	TBILD 7810 450 0100 3	TBILD 7810 450 0100 4	450 x 100 mm	(18"x4")
TBILD 7810 600 0100 2	TBILD 7810 600 0100 3	TBILD 7810 600 0100 4	600 x 100 mm	(24"x4")

Type 1: inside



Type 2: outside

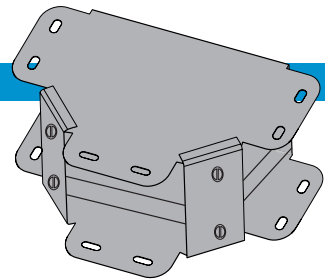


- Other dimensions are available upon request.

TEE BEND INSIDE LID TRIPLE

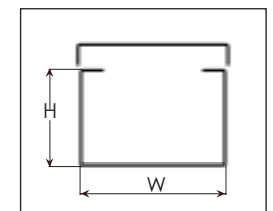
Thickness: 1 mm - 1.2 mm - 1.5 mm

TBILT 7810

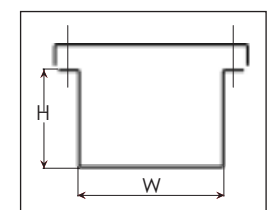


Reference			Dimensions	
1 mm	1.2 mm	1.5 mm	mm	inch
TBILT 7810 050 0050 2	TBILT 7810 050 0050 3	TBILT 7810 050 0050 4	50 x 50 mm	(2"x2")
TBILT 7810 075 0050 2	TBILT 7810 075 0050 3	TBILT 7810 075 0050 4	75 x 50 mm	(3"x2")
TBILT 7810 075 0075 2	TBILT 7810 075 0075 3	TBILT 7810 075 0075 4	75 x 75 mm	(3"x3")
TBILT 7810 100 0050 2	TBILT 7810 100 0050 3	TBILT 7810 100 0050 4	100 x 50 mm	(4"x2")
TBILT 7810 100 0075 2	TBILT 7810 100 0075 3	TBILT 7810 100 0075 4	100 x 75 mm	(4"x3")
TBILT 7810 100 0100 2	TBILT 7810 100 0100 3	TBILT 7810 100 0100 4	100 x 100 mm	(4"x4")
TBILT 7810 150 0050 2	TBILT 7810 150 0050 3	TBILT 7810 150 0050 4	150 x 50 mm	(6"x2")
TBILT 7810 150 0075 2	TBILT 7810 150 0075 3	TBILT 7810 150 0075 4	150 x 75 mm	(6"x3")
TBILT 7810 150 0100 2	TBILT 7810 150 0100 3	TBILT 7810 150 0100 4	150 x 100 mm	(6"x4")
TBILT 7810 150 0150 2	TBILT 7810 150 0150 3	TBILT 7810 150 0150 4	150 x 150 mm	(6"x6")
TBILT 7810 200 0100 2	TBILT 7810 200 0100 3	TBILT 7810 200 0100 4	200 x 100 mm	(8"x4")
TBILT 7810 300 0100 2	TBILT 7810 300 0100 3	TBILT 7810 300 0100 4	300 x 100 mm	(12"x4")
TBILT 7810 450 0100 2	TBILT 7810 450 0100 3	TBILT 7810 450 0100 4	450 x 100 mm	(18"x4")
TBILT 7810 600 0100 2	TBILT 7810 600 0100 3	TBILT 7810 600 0100 4	600 x 100 mm	(24"x4")

Type 1: inside



Type 2: outside

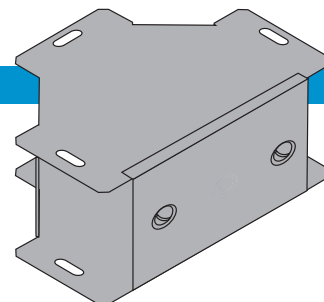


- Other dimensions are available upon request.

TEE BEND OUTSIDE LID

Thickness: 1 mm - 1.2 mm - 1.5 mm

TBOL 7910



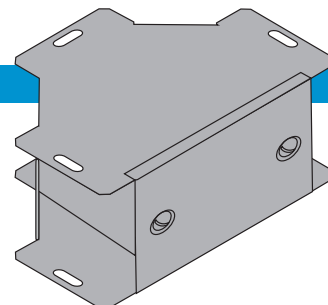
Reference			Dimensions	
1 mm	1.2 mm	1.5 mm	mm	inch
TBOL 7910 050 0050 2	TBOL 7910 050 0050 3	TBOL 7910 050 0050 4	50 x 50 mm	(2"x2")
TBOL 7910 075 0050 2	TBOL 7910 075 0050 3	TBOL 7910 075 0050 4	75 x 50 mm	(3"x2")
TBOL 7910 075 0075 2	TBOL 7910 075 0075 3	TBOL 7910 075 0075 4	75 x 75 mm	(3"x3")
TBOL 7910 100 0050 2	TBOL 7910 100 0050 3	TBOL 7910 100 0050 4	100 x 50 mm	(4"x2")
TBOL 7910 100 0075 2	TBOL 7910 100 0075 3	TBOL 7910 100 0075 4	100 x 75 mm	(4"x3")
TBOL 7910 100 0100 2	TBOL 7910 100 0100 3	TBOL 7910 100 0100 4	100 x 100 mm	(4"x4")
TBOL 7910 150 0050 2	TBOL 7910 150 0050 3	TBOL 7910 150 0050 4	150 x 50 mm	(6"x2")
TBOL 7910 150 0075 2	TBOL 7910 150 0075 3	TBOL 7910 150 0075 4	150 x 75 mm	(6"x3")
TBOL 7910 150 0100 2	TBOL 7910 150 0100 3	TBOL 7910 150 0100 4	150 x 100 mm	(6"x4")
TBOL 7910 150 0150 2	TBOL 7910 150 0150 3	TBOL 7910 150 0150 4	150 x 150 mm	(6"x6")
TBOL 7910 200 0100 2	TBOL 7910 200 0100 3	TBOL 7910 200 0100 4	200 x 100 mm	(8"x4")
TBOL 7910 300 0100 2	TBOL 7910 300 0100 3	TBOL 7910 300 0100 4	300 x 100 mm	(12"x4")
TBOL 7910 450 0100 2	TBOL 7910 450 0100 3	TBOL 7910 450 0100 4	450 x 100 mm	(18"x4")
TBOL 7910 600 0100 2	TBOL 7910 600 0100 3	TBOL 7910 600 0100 4	600 x 100 mm	(24"x4")

- Other dimensions are available upon request.

TEE BEND OUTSIDE LID DOUBLE

Thickness: 1 mm - 1.2 mm - 1.5 mm

TBOLD 7910



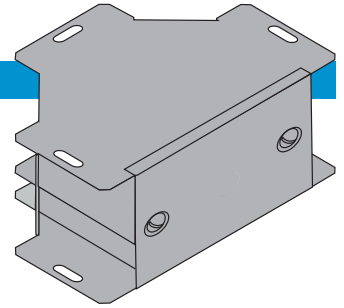
Reference			Dimensions	
1 mm	1.2 mm	1.5 mm	mm	inch
TBOLD 7910 050 0050 2	TBOLD 7910 050 0050 3	TBOLD 7910 050 0050 4	50 x 50 mm	(2"x2")
TBOLD 7910 075 0050 2	TBOLD 7910 075 0050 3	TBOLD 7910 075 0050 4	75 x 50 mm	(3"x2")
TBOLD 7910 075 0075 2	TBOLD 7910 075 0075 3	TBOLD 7910 075 0075 4	75 x 75 mm	(3"x3")
TBOLD 7910 100 0050 2	TBOLD 7910 100 0050 3	TBOLD 7910 100 0050 4	100 x 50 mm	(4"x2")
TBOLD 7910 100 0075 2	TBOLD 7910 100 0075 3	TBOLD 7910 100 0075 4	100 x 75 mm	(4"x3")
TBOLD 7910 100 0100 2	TBOLD 7910 100 0100 3	TBOLD 7910 100 0100 4	100 x 100 mm	(4"x4")
TBOLD 7910 150 0050 2	TBOLD 7910 150 0050 3	TBOLD 7910 150 0050 4	150 x 50 mm	(6"x2")
TBOLD 7910 150 0075 2	TBOLD 7910 150 0075 3	TBOLD 7910 150 0075 4	150 x 75 mm	(6"x3")
TBOLD 7910 150 0100 2	TBOLD 7910 150 0100 3	TBOLD 7910 150 0100 4	150 x 100 mm	(6"x4")
TBOLD 7910 150 0150 2	TBOLD 7910 150 0150 3	TBOLD 7910 150 0150 4	150 x 150 mm	(6"x6")
TBOLD 7910 200 0100 2	TBOLD 7910 200 0100 3	TBOLD 7910 200 0100 4	200 x 100 mm	(8"x4")
TBOLD 7910 300 0100 2	TBOLD 7910 300 0100 3	TBOLD 7910 300 0100 4	300 x 100 mm	(12"x4")
TBOLD 7910 450 0100 2	TBOLD 7910 450 0100 3	TBOLD 7910 450 0100 4	450 x 100 mm	(18"x4")
TBOLD 7910 600 0100 2	TBOLD 7910 600 0100 3	TBOLD 7910 600 0100 4	600 x 100 mm	(24"x4")

- Other dimensions are available upon request.

TEE BEND OUTSIDE LID TRIPLE

Thickness: 1 mm - 1.2 mm - 1.5 mm

TBOLT 7910



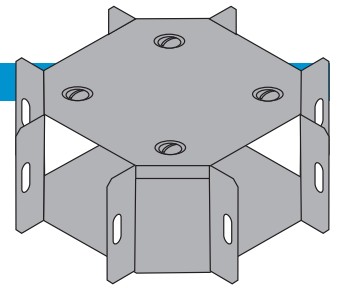
Reference			Dimensions	
1 mm	1.2 mm	1.5 mm	mm	inch
TBOLT 7910 050 0050 2	TBOLT 7910 050 0050 3	TBOLT 7915 050 0050 4	50 x 50 mm	(2"x2")
TBOLT 7910 075 0050 2	TBOLT 7910 075 0050 3	TBOLT 7915 075 0050 4	75 x 50 mm	(3"x2")
TBOLT 7910 075 0075 2	TBOLT 7910 075 0075 3	TBOLT 7915 075 0075 4	75 x 75 mm	(3"x3")
TBOLT 7910 100 0050 2	TBOLT 7910 100 0050 3	TBOLT 7915 100 0050 4	100 x 50 mm	(4"x2")
TBOLT 7910 100 0075 2	TBOLT 7910 100 0075 3	TBOLT 7915 100 0075 4	100 x 75 mm	(4"x3")
TBOLT 7910 100 0100 2	TBOLT 7910 100 0100 3	TBOLT 7915 100 0100 4	100 x 100 mm	(4"x4")
TBOLT 7910 150 0050 2	TBOLT 7910 150 0050 3	TBOLT 7915 150 0050 4	150 x 50 mm	(6"x2")
TBOLT 7910 150 0075 2	TBOLT 7910 150 0075 3	TBOLT 7915 150 0075 4	150 x 75 mm	(6"x3")
TBOLT 7910 150 0100 2	TBOLT 7910 150 0100 3	TBOLT 7915 150 0100 4	150 x 100 mm	(6"x4")
TBOLT 7910 150 0150 2	TBOLT 7910 150 0150 3	TBOLT 7915 150 0150 4	150 x 150 mm	(6"x6")
TBOLT 7910 200 0100 2	TBOLT 7910 200 0100 3	TBOLT 7915 200 0100 4	200 x 100 mm	(8"x4")
TBOLT 7910 300 0100 2	TBOLT 7910 300 0100 3	TBOLT 7915 300 0100 4	300 x 100 mm	(12"x4")
TBOLT 7910 450 0100 2	TBOLT 7910 450 0100 3	TBOLT 7915 450 0100 4	450 x 100 mm	(18"x4")
TBOLT 7910 600 0100 2	TBOLT 7910 600 0100 3	TBOLT 7915 600 0100 4	600 x 100 mm	(24"x4")

- Other dimensions are available upon request.

INTERSECTION

Thickness: 1 mm - 1.2 mm - 1.5 mm

IF 8010



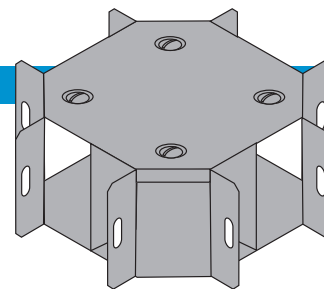
Reference			Dimensions	
1 mm	1.2 mm	1.5 mm	mm	inch
IF 8010 050 0050 2	IF 8010 050 0050 3	IF 8010 050 0050 4	50 x 50 mm	(2"x2")
IF 8010 075 0050 2	IF 8010 075 0050 3	IF 8010 075 0050 4	75 x 50 mm	(3"x2")
IF 8010 075 0075 2	IF 8010 075 0075 3	IF 8010 075 0075 4	75 x 75 mm	(3"x3")
IF 8010 100 0050 2	IF 8010 100 0050 3	IF 8010 100 0050 4	100 x 50 mm	(4"x2")
IF 8010 100 0075 2	IF 8010 100 0075 3	IF 8010 100 0075 4	100 x 75 mm	(4"x3")
IF 8010 100 0100 2	IF 8010 100 0100 3	IF 8010 100 0100 4	100 x 100 mm	(4"x4")
IF 8010 150 0050 2	IF 8010 150 0050 3	IF 8010 150 0050 4	150 x 50 mm	(6"x2")
IF 8010 150 0075 2	IF 8010 150 0075 3	IF 8010 150 0075 4	150 x 75 mm	(6"x3")
IF 8010 150 0100 2	IF 8010 150 0100 3	IF 8010 150 0100 4	150 x 100 mm	(6"x4")
IF 8010 150 0150 2	IF 8010 150 0150 3	IF 8010 150 0150 4	150 x 150 mm	(6"x6")
IF 8010 200 0100 2	IF 8010 200 0100 3	IF 8010 200 0100 4	200 x 100 mm	(8"x4")
IF 8010 300 0100 2	IF 8010 300 0100 3	IF 8010 300 0100 4	300 x 100 mm	(12"x4")
IF 8010 450 0100 2	IF 8010 450 0100 3	IF 8010 450 0100 4	450 x 100 mm	(18"x4")
IF 8010 600 0100 2	IF 8010 600 0100 3	IF 8010 600 0100 4	600 x 100 mm	(24"x4")

- Other dimensions are available upon request.

INTERSECTION DOUBLE

Thickness: 1 mm - 1.2 mm - 1.5 mm

IFD 8010



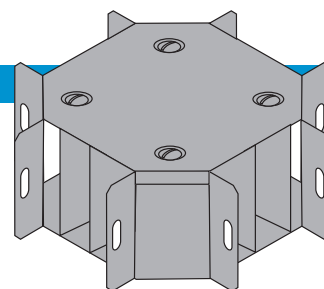
Reference			Dimensions	
1 mm	1.2 mm	1.5 mm	mm	inch
IFD 8010 050 0050 2	IFD 8010 050 0050 3	IFD 8010 050 0050 4	50 x 50 mm	(2"x2")
IFD 8010 075 0050 2	IFD 8010 075 0050 3	IFD 8010 075 0050 4	75 x 50 mm	(3"x2")
IFD 8010 075 0075 2	IFD 8010 075 0075 3	IFD 8010 075 0075 4	75 x 75 mm	(3"x3")
IFD 8010 100 0050 2	IFD 8010 100 0050 3	IFD 8010 100 0050 4	100 x 50 mm	(4"x2")
IFD 8010 100 0075 2	IFD 8010 100 0075 3	IFD 8010 100 0075 4	100 x 75 mm	(4"x3")
IFD 8010 100 0100 2	IFD 8010 100 0100 3	IFD 8010 100 0100 4	100 x 100 mm	(4"x4")
IFD 8010 150 0050 2	IFD 8010 150 0050 3	IFD 8010 150 0050 4	150 x 50 mm	(6"x2")
IFD 8010 150 0075 2	IFD 8010 150 0075 3	IFD 8010 150 0075 4	150 x 75 mm	(6"x3")
IFD 8010 150 0100 2	IFD 8010 150 0100 3	IFD 8010 150 0100 4	150 x 100 mm	(6"x4")
IFD 8010 150 0150 2	IFD 8010 150 0150 3	IFD 8010 150 0150 4	150 x 150 mm	(6"x6")
IFD 8010 200 0100 2	IFD 8010 200 0100 3	IFD 8010 200 0100 4	200 x 100 mm	(8"x4")
IFD 8010 300 0100 2	IFD 8010 300 0100 3	IFD 8010 300 0100 4	300 x 100 mm	(12"x4")
IFD 8010 450 0100 2	IFD 8010 450 0100 3	IFD 8010 450 0100 4	450 x 100 mm	(18"x4")
IFD 8010 600 0100 2	IFD 8010 600 0100 3	IFD 8010 600 0100 4	600 x 100 mm	(24"x4")

- Other dimensions are available upon request.

INTERSECTION TRIPLE

Thickness: 1 mm - 1.2 mm - 1.5 mm

IFT 8010



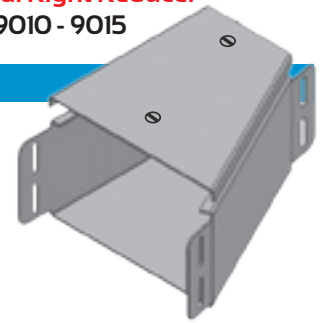
Reference			Dimensions	
1 mm	1.2 mm	1.5 mm	mm	inch
IFT 8010 050 0050 2	IFT 8010 050 0050 3	IFT 8010 050 0050 4	50 x 50 mm	(2"x2")
IFT 8010 075 0050 2	IFT 8010 075 0050 3	IFT 8010 075 0050 4	75 x 50 mm	(3"x2")
IFT 8010 075 0075 2	IFT 8010 075 0075 3	IFT 8010 075 0075 4	75 x 75 mm	(3"x3")
IFT 8010 100 0050 2	IFT 8010 100 0050 3	IFT 8010 100 0050 4	100 x 50 mm	(4"x2")
IFT 8010 100 0075 2	IFT 8010 100 0075 3	IFT 8010 100 0075 4	100 x 75 mm	(4"x3")
IFT 8010 100 0100 2	IFT 8010 100 0100 3	IFT 8010 100 0100 4	100 x 100 mm	(4"x4")
IFT 8010 150 0050 2	IFT 8010 150 0050 3	IFT 8010 150 0050 4	150 x 50 mm	(6"x2")
IFT 8010 150 0075 2	IFT 8010 150 0075 3	IFT 8010 150 0075 4	150 x 75 mm	(6"x3")
IFT 8010 150 0100 2	IFT 8010 150 0100 3	IFT 8010 150 0100 4	150 x 100 mm	(6"x4")
IFT 8010 150 0150 2	IFT 8010 150 0150 3	IFT 8010 150 0150 4	150 x 150 mm	(6"x6")
IFT 8010 200 0100 2	IFT 8010 200 0100 3	IFT 8010 200 0100 4	200 x 100 mm	(8"x4")
IFT 8010 300 0100 2	IFT 8010 300 0100 3	IFT 8010 300 0100 4	300 x 100 mm	(12"x4")
IFT 8010 450 0100 2	IFT 8010 450 0100 3	IFT 8010 450 0100 4	450 x 100 mm	(18"x4")
IFT 8010 600 0100 2	IFT 8010 600 0100 3	IFT 8010 600 0100 4	600 x 100 mm	(24"x4")

- Other dimensions are available upon request.

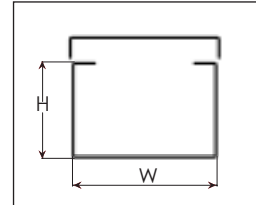
REDUCERS

Reducers are usually manufactured to fit all available trunking sizes and required reduction.

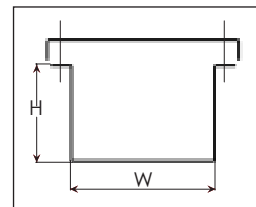
Central Right Reducer
CRR 9010 - 9015



Type 1: inside



Type 2: outside

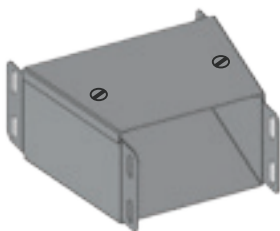


CR 9010 - 9015

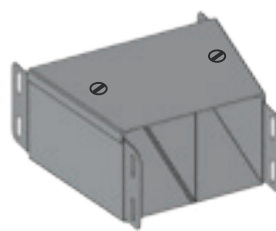
Right Reducer

Reference			Dimensions
1 mm	1.2 mm	1.5 mm	mm
CR 9010 075 0050 2	CR 9010 075 0050 3	CR 9010 075 0050 4	75 x 75 mm - 50 x 50 mm
CR 9010 100 0050 2	CR 9010 100 0050 3	CR 9010 100 0050 4	100 x 100 mm - 100 x 50 mm
CR 9010 100 0075 2	CR 9010 100 0075 3	CR 9010 100 0075 4	100 x 100 mm - 75 x 75 mm
CR 9010 100 0050 2	CR 9010 100 0050 3	CR 9010 100 0050 4	100 x 100 mm - 50 x 50 mm
CR 9010 150 0050 2	CR 9010 150 0050 3	CR 9010 150 0050 4	150 x 150 mm - 50 x 50 mm
CR 9010 150 0075 2	CR 9010 150 0075 3	CR 9010 150 0075 4	150 x 150 mm - 75 x 75 mm
CR 9010 150 0100 2	CR 9010 150 0100 3	CR 9010 150 0100 4	150 x 150 mm - 100 x 100 mm
CR 9010 200 0100 2	CR 9010 200 0100 3	CR 9010 200 0100 4	200 x 100 mm - 100 x 100 mm
CR 9010 200 0150 2	CR 9010 200 0150 3	CR 9010 200 0150 4	200 x 100 mm - 150 x 100 mm
CR 9010 300 0200 2	CR 9010 300 0200 3	CR 9010 300 0200 4	300 x 100 mm - 100 x 100 mm
CR 9010 300 0150 2	CR 9010 300 0150 3	CR 9010 300 0150 4	300 x 100 mm - 150 x 100 mm
CR 9010 300 0100 2	CR 9010 300 0100 3	CR 9010 300 0100 4	300 x 100 mm - 100 x 100 mm
CR 9010 450 0300 2	CR 9010 450 0300 3	CR 9010 450 0300 4	450 x 100 mm - 300 x 100 mm
CR 9010 450 0200 2	CR 9010 450 0200 3	CR 9010 450 0200 4	450 x 100 mm - 200 x 100 mm
CR 9010 450 0100 2	CR 9010 450 0100 3	CR 9010 450 0100 4	450 x 100 mm - 100 x 100 mm
CR 9010 600 0450 2	CR 9010 600 0450 3	CR 9010 600 0450 4	600 x 100 mm - 450 x 100 mm
CR 9010 600 0300 2	CR 9010 600 0300 3	CR 9010 600 0300 4	600 x 100 mm - 300 x 100 mm
CR 9010 600 0200 2	CR 9010 600 0200 3	CR 9010 600 0200 4	600 x 100 mm - 200 x 100 mm
CR 9010 600 0100 2	CR 9010 600 0100 3	CR 9010 600 0100 4	600 x 100 mm - 100 x 100 mm

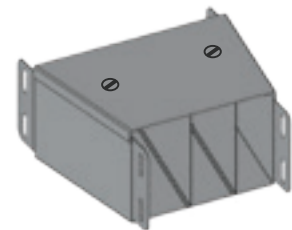
Central Reducer Single
CRS 9010 - 9015



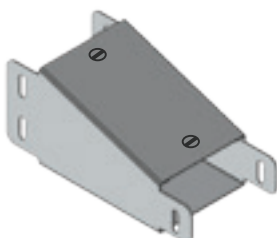
Central Reducer Double
CRD 9010 - 9015



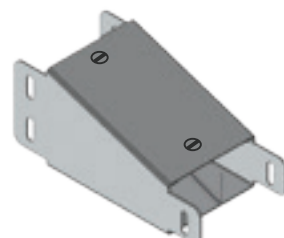
Central Reducer Triple
CRT 9010 - 9015



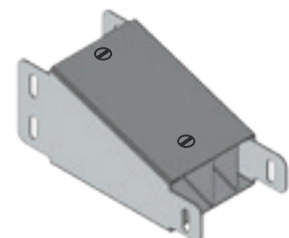
Central Half Single
CR2 9010 - 9015



Central Half Double
CR2D 9010 - 9015

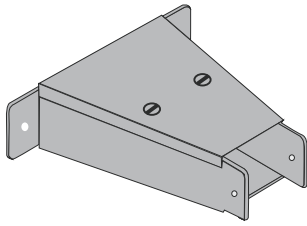


Central Half Triple
CR2T 9010 - 9015

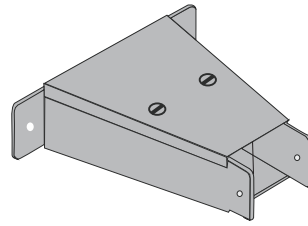


- Other dimensions are available upon request.

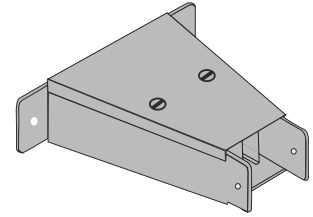
Bellmouth Single
BLMS 9916



Bellmouth Double
BLMD 9916

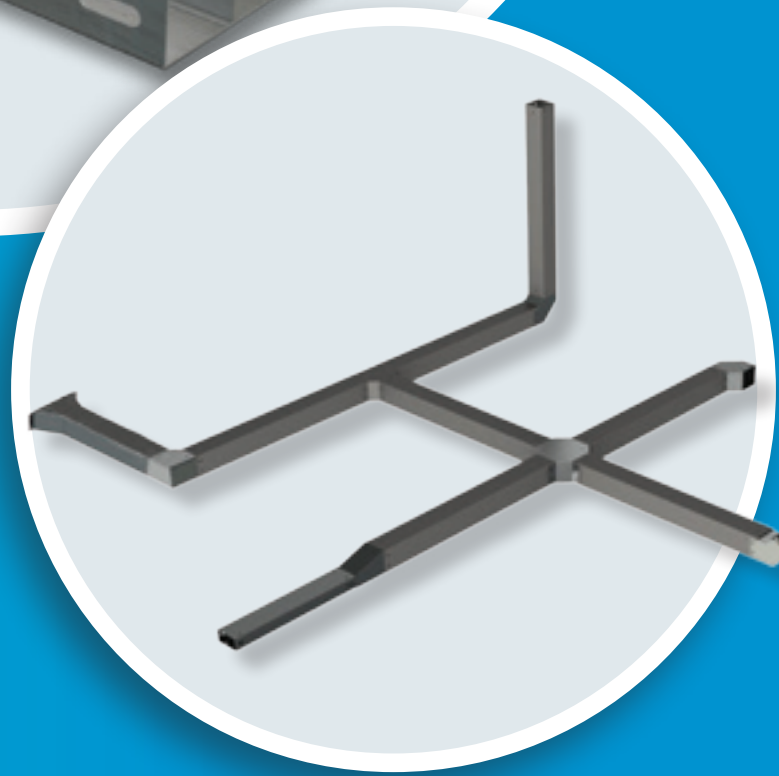


Bellmouth Triple
BLMT 9916



Reference			Dimensions	
1 mm	1.2 mm	1.5 mm	mm	inch
BLM 9916 050 0050 2	BLM 9916 050 0050 3	BLM 9916 050 0050 4	50 x 50 mm	(2"x2")
BLM 9916 075 0050 2	BLM 9916 075 0050 3	BLM 9916 075 0050 4	75 x 50 mm	(3"x2")
BLM 9916 075 0075 2	BLM 9916 075 0075 3	BLM 9916 075 0075 4	75 x 75 mm	(3"x3")
BLM 9916 100 0050 2	BLM 9916 100 0050 3	BLM 9916 100 0050 4	100 x 50 mm	(4"x2")
BLM 9916 100 0075 2	BLM 9916 100 0075 3	BLM 9916 100 0075 4	100 x 75 mm	(4"x3")
BLM 9916 100 0100 2	BLM 9916 100 0100 3	BLM 9916 100 0100 4	100 x 100 mm	(4"x4")
BLM 9916 150 0050 2	BLM 9916 150 0050 3	BLM 9916 150 0050 4	150 x 50 mm	(6"x2")
BLM 9916 150 0075 2	BLM 9916 150 0075 3	BLM 9916 150 0075 4	150 x 75 mm	(6"x3")
BLM 9916 150 0100 2	BLM 9916 150 0100 3	BLM 9916 150 0100 4	150 x 100 mm	(6"x4")
BLM 9916 150 0150 2	BLM 9916 150 0150 3	BLM 9916 150 0150 4	150 x 150 mm	(6"x6")
BLM 9916 200 0100 2	BLM 9916 200 0100 3	BLM 9916 200 0100 4	200 x 100 mm	(8"x4")
BLM 9916 300 0100 2	BLM 9916 300 0100 3	BLM 9916 300 0100 4	300 x 100 mm	(12"x4")
BLM 9916 450 0100 2	BLM 9916 450 0100 3	BLM 9916 450 0100 4	450 x 100 mm	(18"x4")
BLM 9916 600 0100 2	BLM 9916 600 0100 3	BLM 9916 600 0100 4	600 x 100 mm	(24"x4")

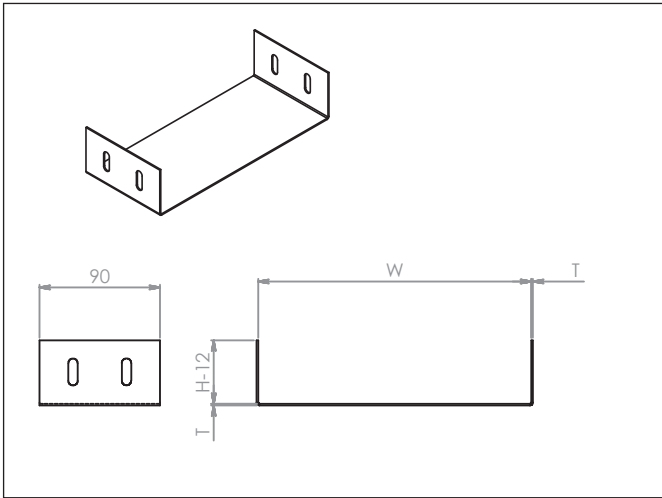




TRUNKING ACCESSORIES

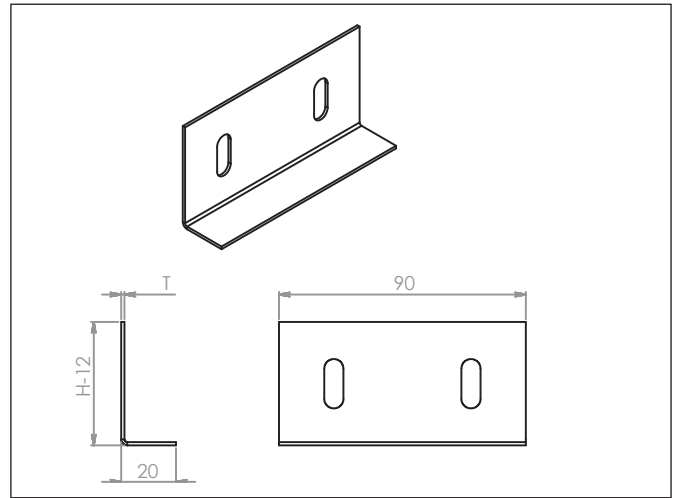
U CONNECTOR / STOP END

ASC 9020



FLANGED CONNECTOR

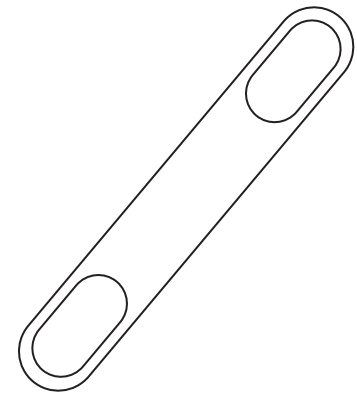
AFC 9025



EARTH LINKS

Features

Lenght	55 mm
Width	10 mm
Two Slots	13 mm x 6 mm
Thickness	0.5 mm
Density	0.0024 KG
Material	Copper Coated with Electro-Nickle



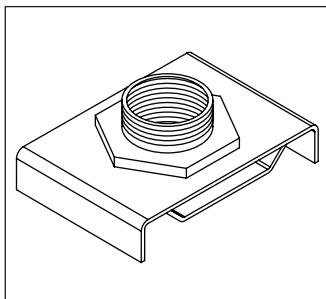
Continuity by joining two trunkings
 Manufactured with improved features and equivalent to
 international standards BS-7630

Application: To earth any size or any make of trunkings

SUSPENSION BRACKET

ASB 9035

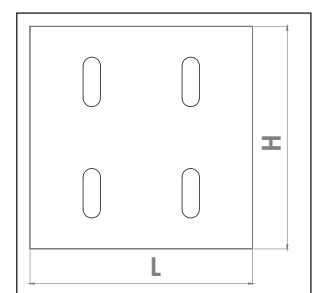
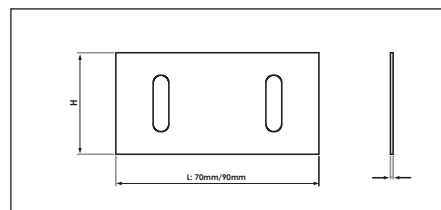
- 50 x 50 mm
- 75 x 75 mm



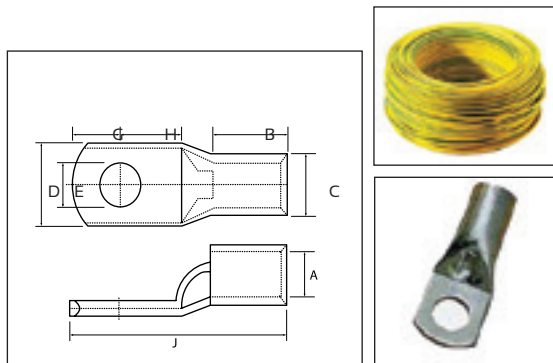
With brass & steel lock nuts

STRAIGHT CONNECTOR

ACR 9040

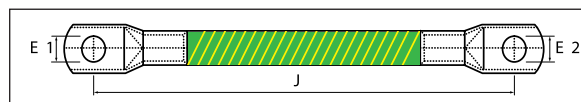


- CRIMPING TYPE COPPER TUBULAR CABLE TERMINAL ENDS - 1200



Cable mm ²	Stud Hole	Dimensions (mm)						
		A	C	D	G	H	B	L
1.5	6.5	1.8	3	10	4	6	6	18
	8.4	2.4	4.2	12	5	6	8	21
2.5	6.5	2.4	4	10	5	6	8	21
	8.4	2.4	4.2	12	6	9	8	26
4	6.5	3.1	4.8	10	5	6	8	21
	8.4	3.1	5.0	12	6	9	8	26
6	6.5	3.8	4.8	10	5	6	10	24
	8.4	3.8	5.0	12	6	9	10	28
10	6.5	4.5	4.8	11	6	7	10	26
	8.4	4.5	5.0	12	6	9	0	28
16	6.5	5.4	4.8	12	7	7	12	30
	8.4	5.4	5.0	12	7	7	12	30
20	8.4	6	7.7	12	7	7	12	32
25	6.5	6.8	8.8	13	7	7	12	30
	8.4	6.8	8.8	13	7	7	12	30

BONDING JUMPER / 1300



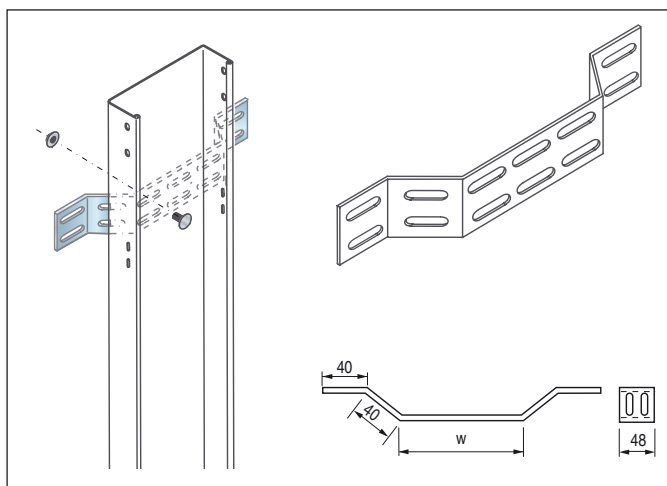
HFT- crimped with lugs



Size mm ²	Dimensions (mm)			Current Rating AMP
	J	E1	E2	
4	50	6	6	50
	100	6	6	50
	150	6	6	50
	200	6	6	50
10	50	6	6	90
	100	6	6	90
	150	6	6	90
	200	6	6	90
16	100	8.5	8.5	125
	150	8.5	8.5	125
	200	8.5	8.5	125
	250	8.5	8.5	125
	300	8.5	8.5	125
25	100	10	10	160
	150	10	10	160
	200	10	10	160
	250	10	10	160
	300	10	10	160

CLAMP FOR VERTICAL ASSEMBLY

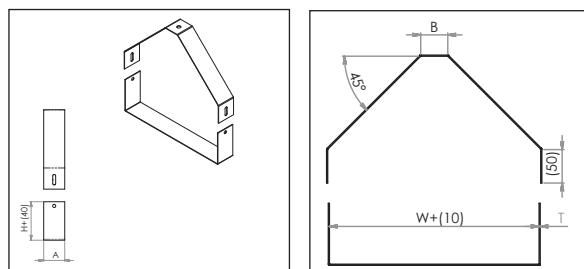
ACV 9028



w (mm) : 50, 100, 150, 200

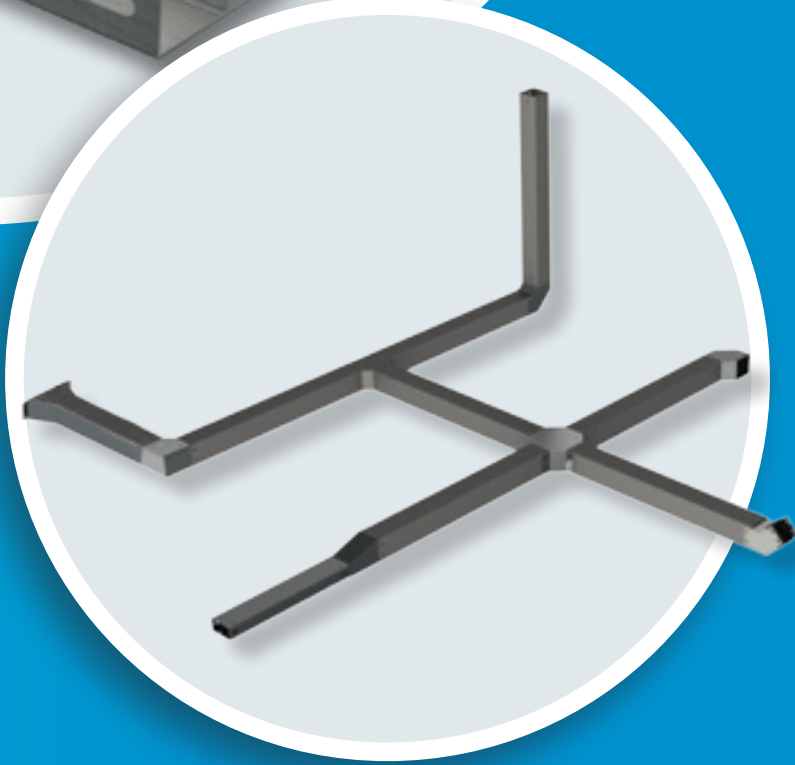
STIRRUP HANGER

ASH 9030



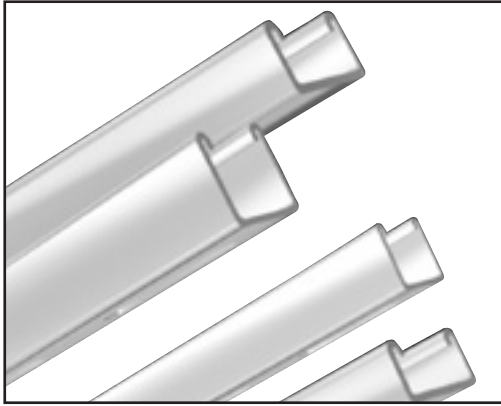
Reference		Dimensions
1.5 mm	2.0 mm	mm
ASH 9030 4	AR 9030 020 0020 5	2 x 2
ASH 9030 4	AR 9030 030 0020 5	3 x 2
ASH 9030 4	AR 9030 030 0020 5	3 x 3
ASH 9030 4	AR 9030 040 0020 5	4 x 2
ASH 9030 4	AR 9030 040 0020 5	4 x 3
ASH 9030 4	AR 9030 040 0020 5	4 x 4

- Other dimensions are available upon request.



SUPPORT & FRAMING SYSTEMS

SUPPORT SYSTEMS



Channel

SFSP's metal framing channel is cold formed on modern rolling machines from low carbon steel manufactured according to BS 6946:1988. Continuous slots provide the ability to make attachments at any point.

Lengths

Standard length: 3000mm with ± 3.2 mm length tolerance. Custom lengths are available upon request.

Finishes

Standard finishes: Pre-Galvanized finish (ASTM A653M coating G90 and G60). Hot Dip Galvanized after fabrication (ASTM A123 or BS EN ISO1461:2009). Other custom coatings are available upon request.

METAL FRAMING CHANNELS

Selection Chart

Part No	Channel Dimensions		Thickness
	Height "H"	Width "W"	
CCH - 220/221	21.0 mm	41.0 mm	1.5 mm
CCH - 240/241	41.0 mm	41.0 mm	1.5 mm
CCH - 320/321	21.0 mm	41.0 mm	2.0 mm
CCH - 340/341	41.0 mm	41.0 mm	2.0 mm
CCH - 420/421	21.0 mm	41.0 mm	2.5 mm
CCH - 440/441	41.0 mm	41.0 mm	2.5 mm

For Toothed Channel add "T" after the Part no. ex: CCH-220T

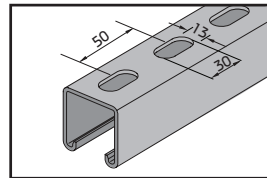
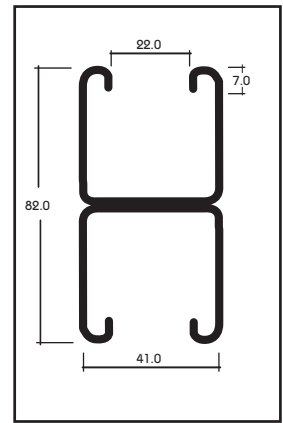
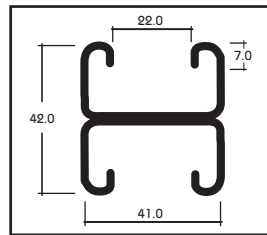
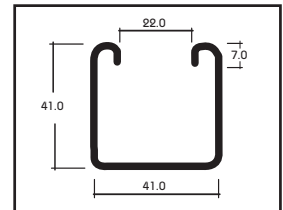
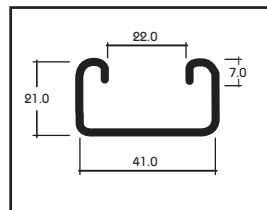
CCH 320

3 Material Thickness for 1.5 mm 2 for 2.0 mm 3 for 2.5 mm 4

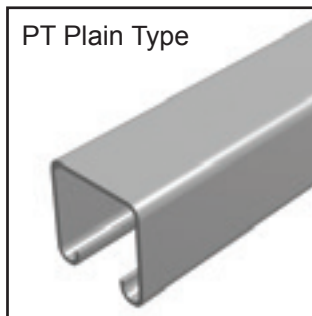
2 Size mm 21/41 - 2 mm 41/41 - 4

0 Channel Pat-terns PT - 0 ST - 1 B2B - 2

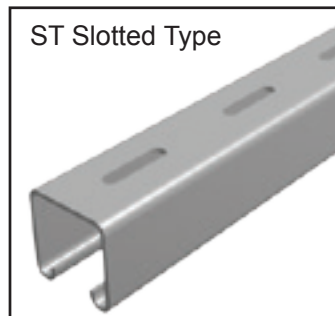
T Toothed channel



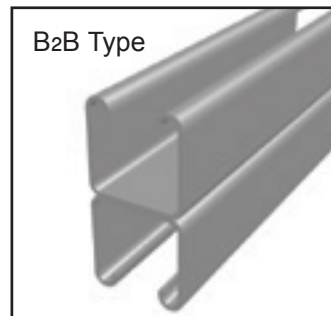
CHANNEL HOLE PATTERNS



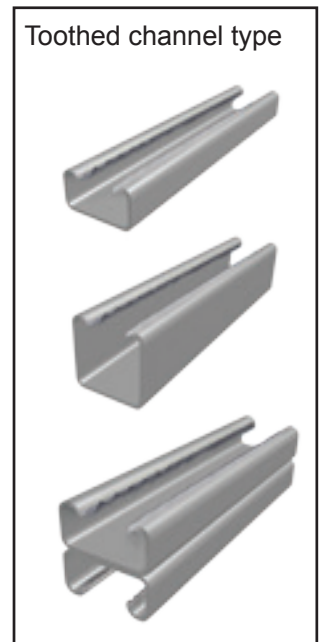
PT Type Channel		
Part No	Thick. mm.	Height "H"
CCH-220	1.5	21.0
CCH-240	1.5	41.0
CCH-320	2.0	21.0
CCH-340	2.0	41.0
CCH-420	2.5	21.0
CCH-440	2.5	41.0



ST Type Channel		
Part No	Thick. mm.	Height "H"
CCH-221	1.5	21.0
CCH-241	1.5	41.0
CCH-321	2.0	21.0
CCH-341	2.0	41.0
CCH-421	2.5	21.0
CCH-441	2.5	41.0



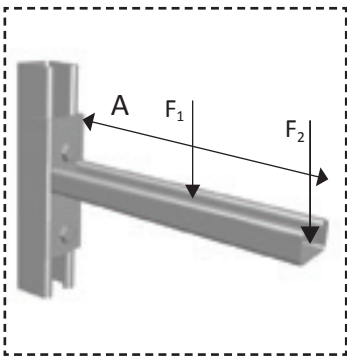
B2B Type Channel		
Part No	Thick. mm.	Height "H"
CCH-222	1.5	42.0
CCH-242	1.5	82.0
CCH-322	2.0	42.0
CCH-342	2.0	82.0
CCH-422	2.5	42.0
CCH-442	2.5	82.0



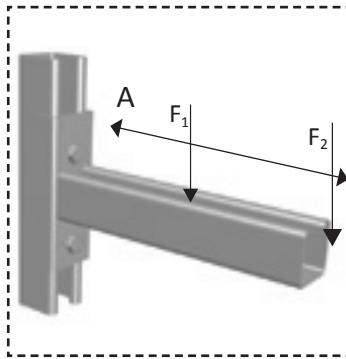
For Toothed Channel add "T" after the Part no. ex: CCH-220T

FRAMING SYSTEMS

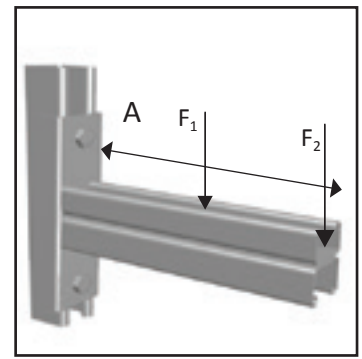
Cantilever Arm Brackets



CCH421 41x21x2.5

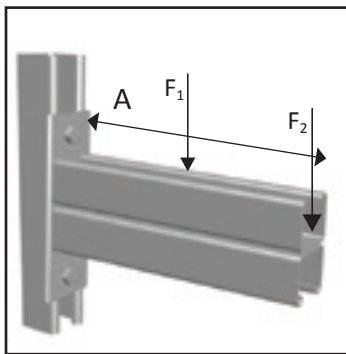


CCH441 41x41x2.5

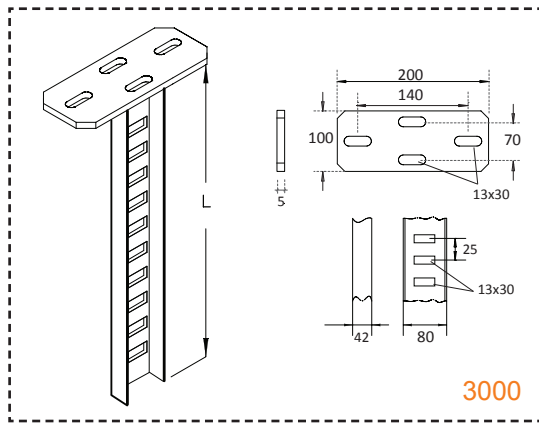


CCH422 41x21x2.5 B2B

Cantilever Arm Brackets U - Support

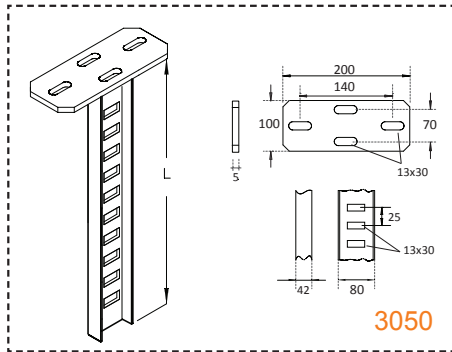


CCH442 41x41x2.5 B2B

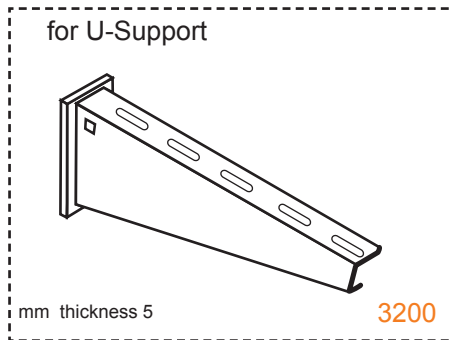


3000

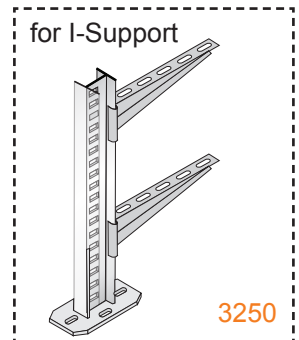
I - Support Wall Bracket



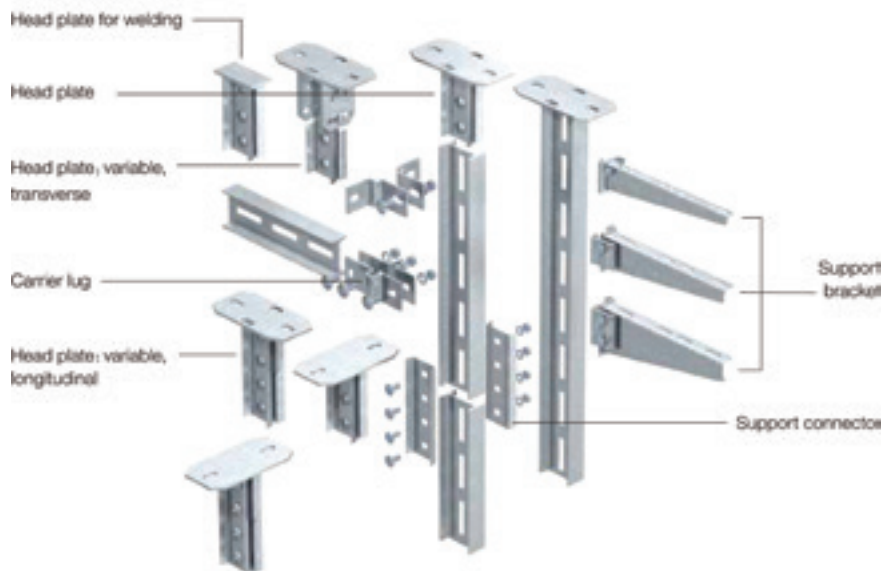
3050



3200



3250



FRAMING SYSTEMS

ASTM F436

Washers (SRW) | DIN 125 | ASTM F436

Zinc Plated	Stainless Steel	D	d	S
		(mm)	(mm)	(mm)
M6	M6	12	6.4	1.6
M8	M8	16	8.4	1.6
M10	M10	21	10.5	2
M12	M12	24	13	2.5
M16	M16	30	17	3
M18	M18	34	19	3.2
M20	M20	39	20.5	3.6



Round Washers DIN 440, DIN 9021

Washers (SRW) | DIN 440 | DIN 9021

DIN	Zinc Plated	Stainless Steel	D	d	S
			(mm)	(mm)	(mm)
440	M6		22	6.6	2
9021	M8	M8	24	8.4	2
9021	M10	M10	30	10.5	2.5
440	M12		45	13.5	4
9021	M12	M12	37	13	3
9021	M16	M16	50	17	3



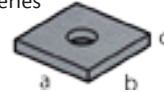
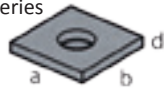
Square Washers SSW

Square Washers (SSW)

H.D. Galvanized Bolt	Stainless Steel Bolt	a x b x d
		(mm)
M8	M10	40 x 40 x (4-5-6)
M10	M12	40 x 40 x (4-5-6)
M12	M16	40 x 40 x (4-5-6)

SSW 40/40 for all channels 41/21 Series

SSW 41/41 for all channels 41/41 Series



Fully Threaded Rods Grade 4.6 DIN 975 ASTM A 36, A193

Threaded Rod (STR) - DIN 975 - ASTM A36

Zinc Plated Thread	Length	Load cap.
	(mm)	(kN)
M6	2000/3000	2.2
M8	2000/3000	4.0
M10	2000/3000	6.4
M12	2000/3000	12.9
M16	2000/3000	17.3
M18	2000	22.0
M20	2000	27.0



Round Head Machine Screws

Round Head (SRH) | DIN 7985

Zinc Plated Thread	Length	d
	(mm)	(mm)
M6	30-40	6.0
M8	30-40	8.0
M10	20-60	10.0



Coupler Sleeves Rounded

Coupler Sleeves (SCS)

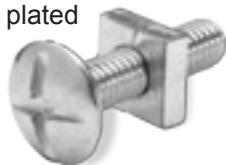
Electroplated Thread	Stainless Steel Thread	D	L	Load Capacity
		(mm)	(mm)	(kN)
M6	M6	10/10	15	2.2
M8	M8	12/14	20	4.0
M10	M10	13/16	25	6.4
M12	M12	16/20	30	9.3
M16	M16	21/25	40	17.3
M20	M20	26/32	50	27.0



Roofing Bolts

Roofing Bolts (SRB)

- Materials : low carbon steel , carbon steel
- Steel S235 , grade 4.6 , 4.8 and 8.8
- Surfaces : plain , black and zinc plated
- Length = X (mm) – Y (mm)



Thread Size	M4	M5	M6	M8
	x - y	x - y	x - y	x - y
	(mm)	(mm)	(mm)	(mm)
Length	10 - 50	10 - 80	12 - 120	16 - 150

Carriage Bolts with Nut Below Head DIN 603

Carriage Bolts (STC)

Zinc Plated	H.D. Galvanized Grade 4.6	Head	Head	Square Width	Square Depth
(E)	(E)	(A) mm	(H) mm	(O) mm	(P) mm
M5	M5	12.0	3.0	5.0	3.2
M6	M6	15.1	3.70	6.40	4.0
M8	M8	18.3	4.50	8.23	4.75
M10	M10	21.44	5.30	9.86	5.56
M16	M16	34.14	8.74	16.3	8.74



Hexagonal Rod Coupler Grade 8.8 ASTM a 563

Hexagonal Rod Coupler with view hole (SHR)

Electroplated Thread	Stainless Steel Thread	D	L	Load capacity
		(mm)	(mm)	(kN)
M10	M10	13	40	6.4
M12	M12	17	40	9.3
M16	M16	22	50	17.3
M 18	M 18	23	60	22.0
M 20	M 20	25	70	27.0



Hexagon Nuts DIN 934, DIN EN 24032, ASTM A 563

Hexagon nut (SHN) | DIN 934 or ISO 4032 (= DIN EN 24032) | ASTM A563

Zinc Plated Thread	Stainless Steel Thread	S/m DIN	S/m ISO	e
		(mm)	(mm)	(mm)
M6	M6	10/5	10/6	11.5
M8	M8	13/6.5	13/7.5	15.0
M10	M10	17/8	16/9.5	19.6
M12	M12	19/10	18/12	21.9
M16	M16	24/13	24/15.5	27.7
M18	M18	26/16	26/16	22.0
M20	M20	30/18	29/20.5	27.0



DIN 933, DIN 24017, ASTM A307, A449

Hex Head Bolt (SHB) | DIN 933 or EN 24017 ASTM A307, A449 (without nut)

Zinc Plated Dimension	Stainless Steel Dimension	S DIN	S EN
		(mm)	(mm)
M 6 x 12		10	10
M 6 x 25			
M 8 x 25	M 8 x 25	13	13
M 8 x 40			
M 10 x 20		17	16
M 10 x 30	M 10 x 30		
M 10 x 45	M 10 x 45		
M 10 x 60			
M 10 x 70		19	18
M 12 x 22			
M 12 x 25	M 12 x 25		
M 12 x 30	M 12 x 30		
M 12 x 40	M 12 x 40		
M 12 x 50			
M 12 x 60	M 12 x 60	24	24
M 12 x 80	M 12 x 80		
M 12 x 90			
M 16 x 40	M 16 x 40	27	26
M 16 x 60	M 16 x 60		
M 16 x 90	M 16 x 90		
M 18 x 40	M 18 x 40	32	32
M 18 x 50	M 18 x 50		
M 18 x 60	M 18 x 60		
M 18 x 80	M 18 x 80		
M 20 x 40	M 20 x 40		
M 20 x 50	M 20 x 50		
M 20 x 60	M 20 x 60		
M 20 x 80	M 20 x 80		



SFSP makes every effort to maintain the accuracy and quality of the information provided in this Catalogue.

However, SFSP cannot guarantee and assumes legal liability or responsibility for the accuracy or completeness of the information provided.

Whilst every care has been exercised in the preparation of this catalogue to ensure that any advice, recommendations or information is accurate, no liability or responsibility of any kind is accepted.

Project working details should be entrusted to appropriately qualified and experienced persons, case by case.

With a policy of continuous product development, SFSP may modify product design and specification without due notice.

In case of any questions or remarks, feel free to contact the R&D Department.